

modbarTM
modular brewing systems

Parts Catalog
Pour Over System

Contents

SPECIFICATIONS 3-4

POUR OVER TAP SYSTEM 5-6

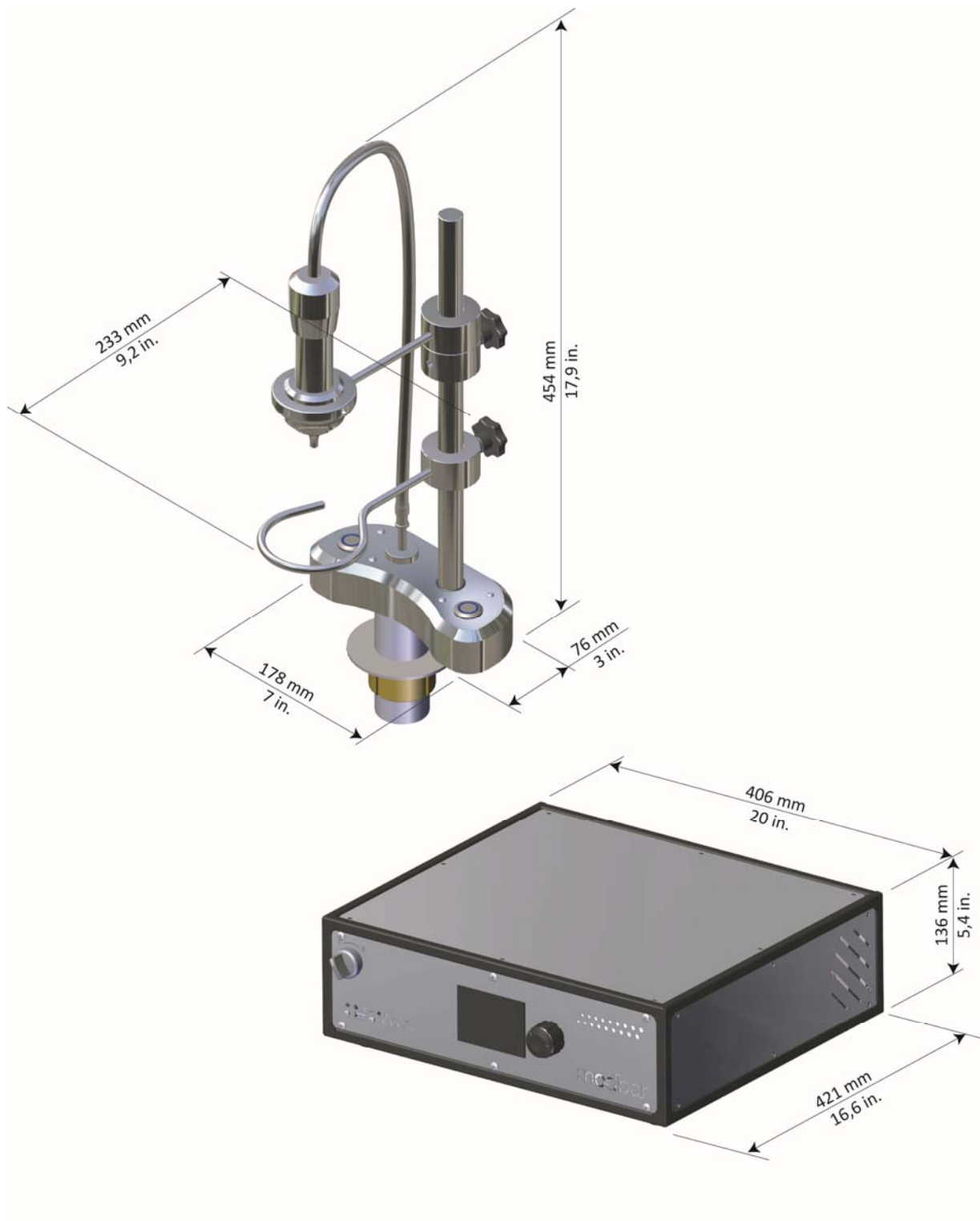
POUR OVER TAP SYSTEM 7-8

POUR OVER MODULE SYSTEM..... 9-10

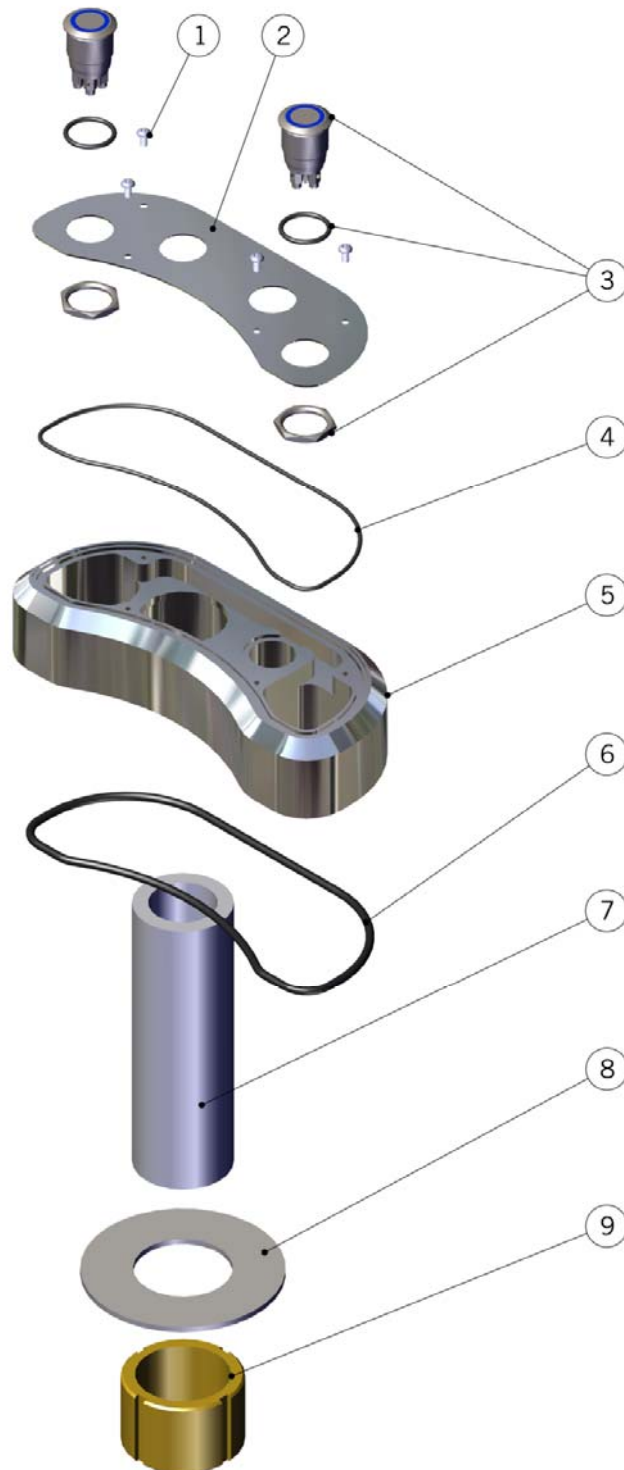
POUR OVER MODULE SYSTEM..... 11-12

POUR OVER MODULE SYSTEM..... 13-14

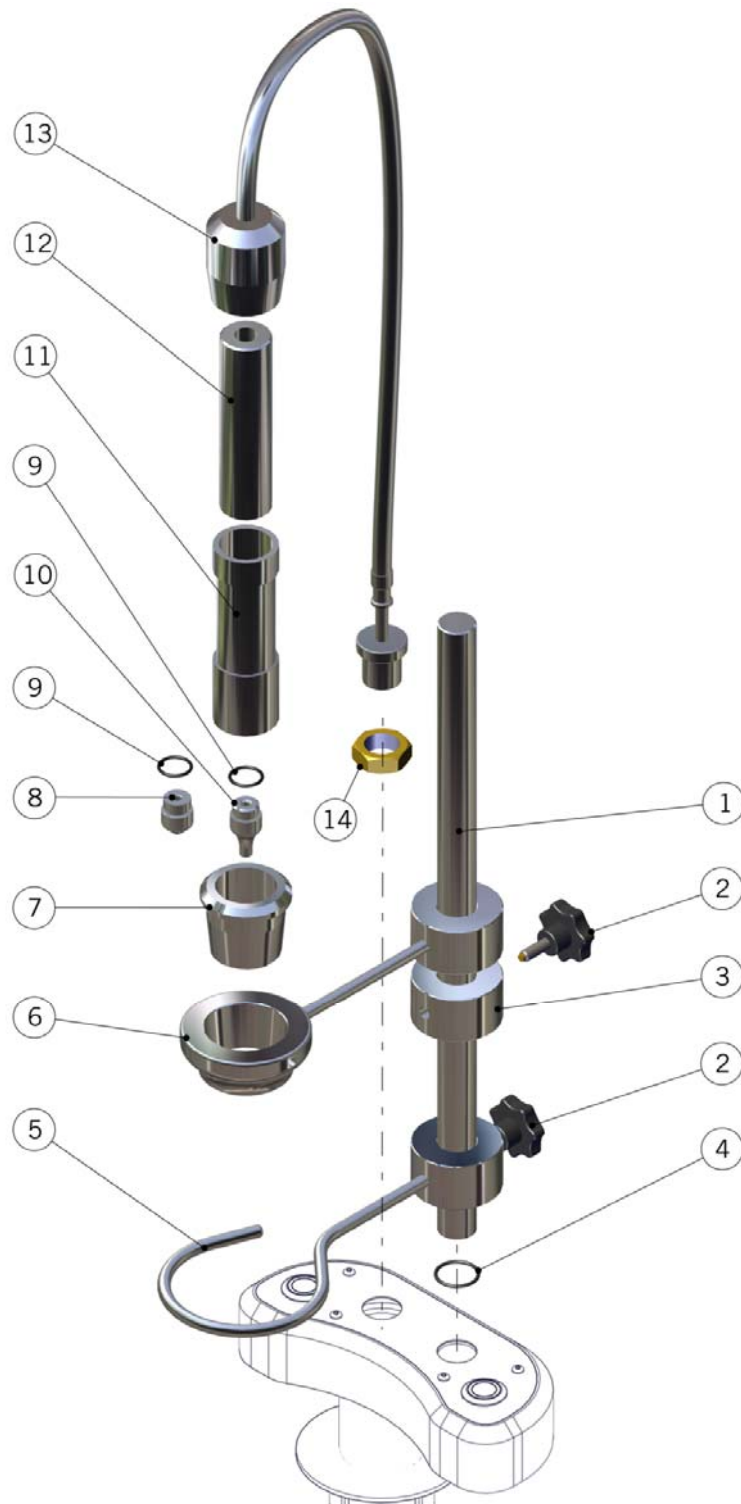
POUR OVER MODULE SYSTEM..... 15-16



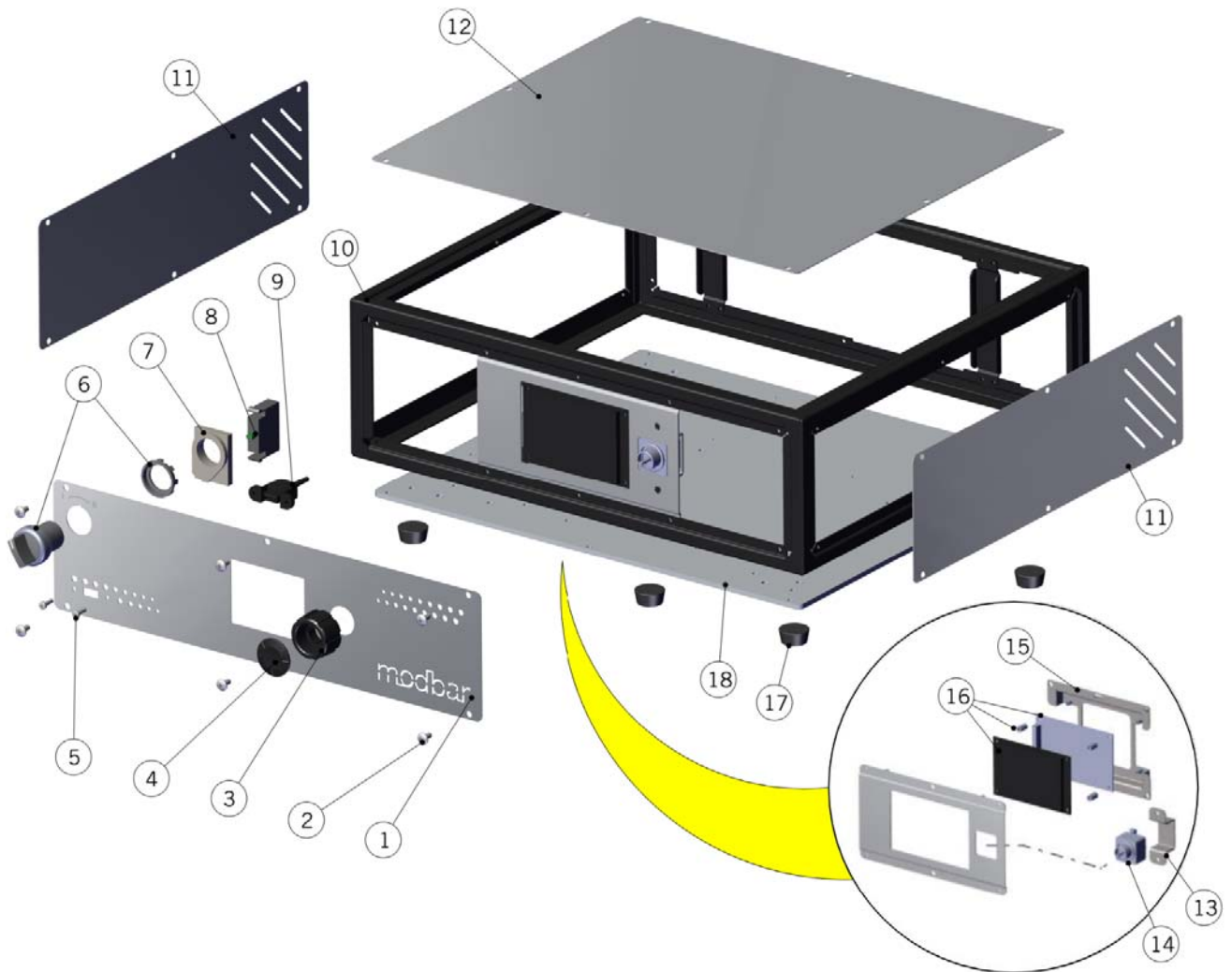
| | | | | |
|-----------------------|-----------------------------|--------|---------------------------|----|
| SPECIFICATIONS | Electrical Voltage | V | 220-240V | |
| | Weights | Kg | 16 (Module) 6,9 (Tap) | |
| | | lb | 35 (Module) 15,2 (Tap) | |
| | Wattage | W | 3000 | |
| | Required Available Amperage | A | 11 | 13 |
| | Frequency | Hz | 50/60 | |
| | Capacity | liters | 1 | |



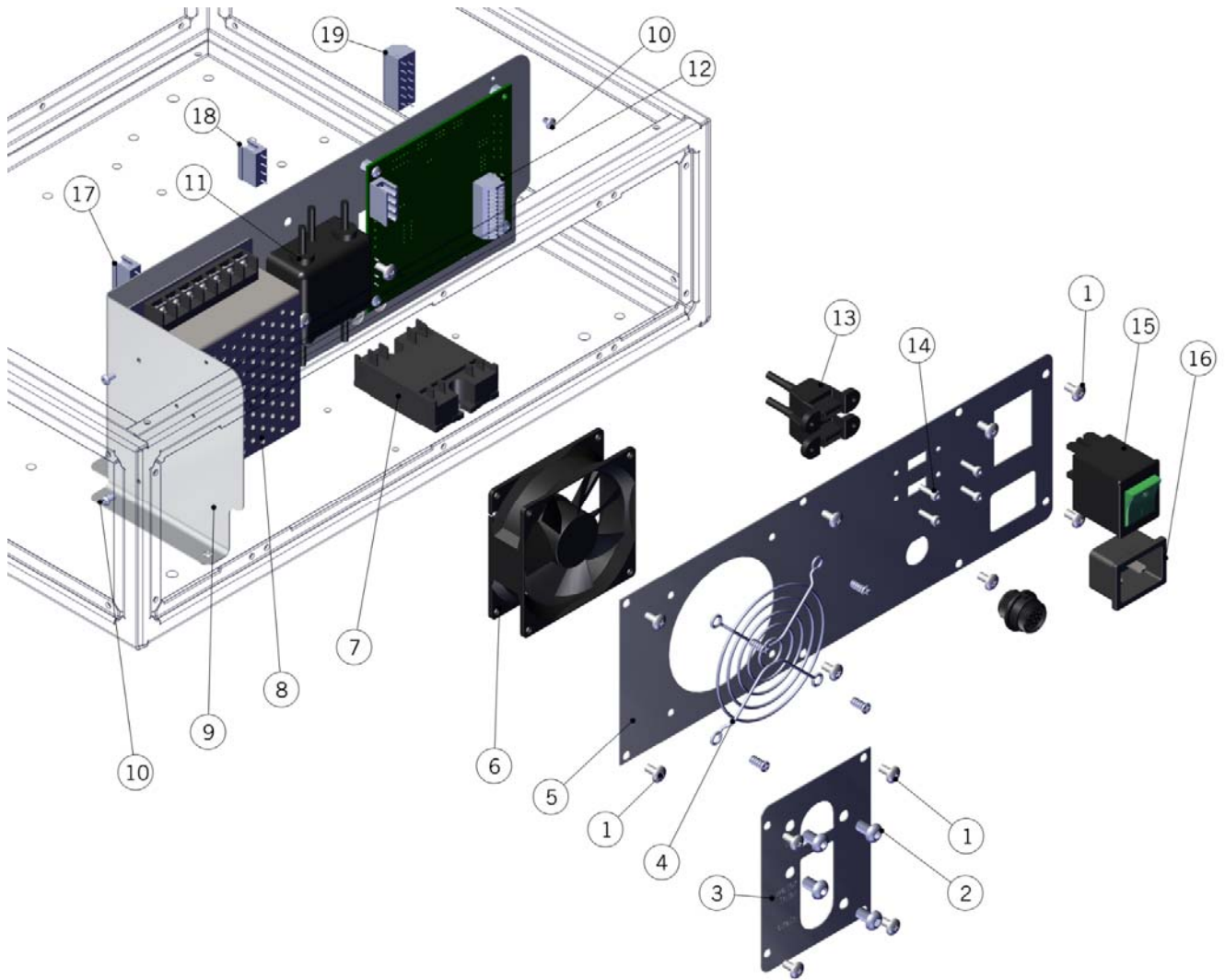
| POUR OVER TAP SYSTEM | 1 | M-0097-02 | SCREW M3X4 |
|---------------------------------|------|-------------|--|
| | 2 | M-0105-01 | POUR-OVER FONT, BASE COVER PLATE |
| | 3 | E-0043-01 | SWITCH RING ILLUMINATED |
| | 4 | M-0148-01 | O-RING, POUR OVER, TOP SEAL, NITRILE 70 |
| | 5 | M-6011-01 | POUR OVER TAP BASE |
| | 6 | M-0149-01 | O-RING, POUR OVER, BOTTOM SEAL, NITRILE |
| | 7 | M-0074-01 | THREADED TUBE |
| | 8 | M-0076-01 | "18-8 SS GENERAL PURPOSE FLAT WASHER 1-1 |
| | 9 | M-5002-01 | 1.5 -12 MOUNTING NUT, 6061 ALUMINUM |
| | Item | Part number | Description |



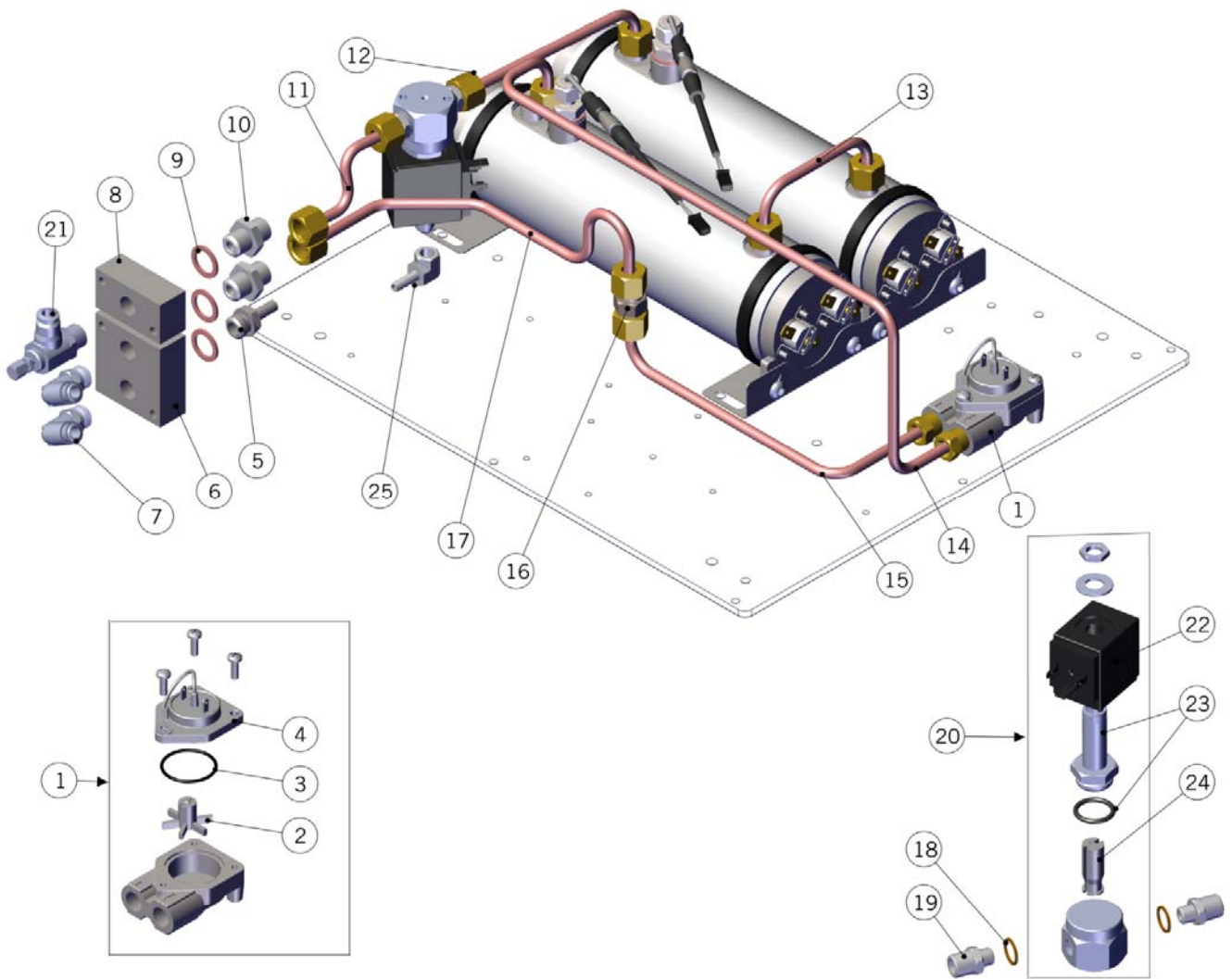
| POUR OVER TAP SYSTEM | 1 | M-6012-01 | POUR-OVER ROD |
|-----------------------------|------|-------------|--|
| | 2 | M-0135-01 | POUR-OVER CARRIER HAND KNOB, M6X16, PLAS |
| | 3 | M-0089-02 | POUR-OVER FONT, SLEEVE 303 SS |
| | 4 | M-6013-01 | PARKER-018 N70 |
| | 5 | A-0062-01 | UNCINO SUOPORTO FILTRO |
| | 6 | A-0049-01 | WATER WAND HOLDER RING |
| | 7 | M-0072-01 | WATER WAND BOTTOM CAP, 303 SS |
| | 8 | P-0102-01 | POUR OVER HOSE STUB END, TAPER PIPE RIGI |
| | 9 | M-0172-01 | POUR-OVER NOZZLE ORING |
| | 10 | M-0073-01 | "FITTING, NIPPLE, 1/4"" MALE BSPP X 1/4" |
| | 11 | M-6009-01 | WATER WAND HOUSING |
| | 12 | M-6014-01 | WATER WAND TEFLON CORE |
| | 13 | A-6003-01 | POUR OVER HOSE |
| | 14 | P-0107-01 | BULKEAD LOCKNUT, 3/4 40, BRASS |
| | Item | Part number | Description |



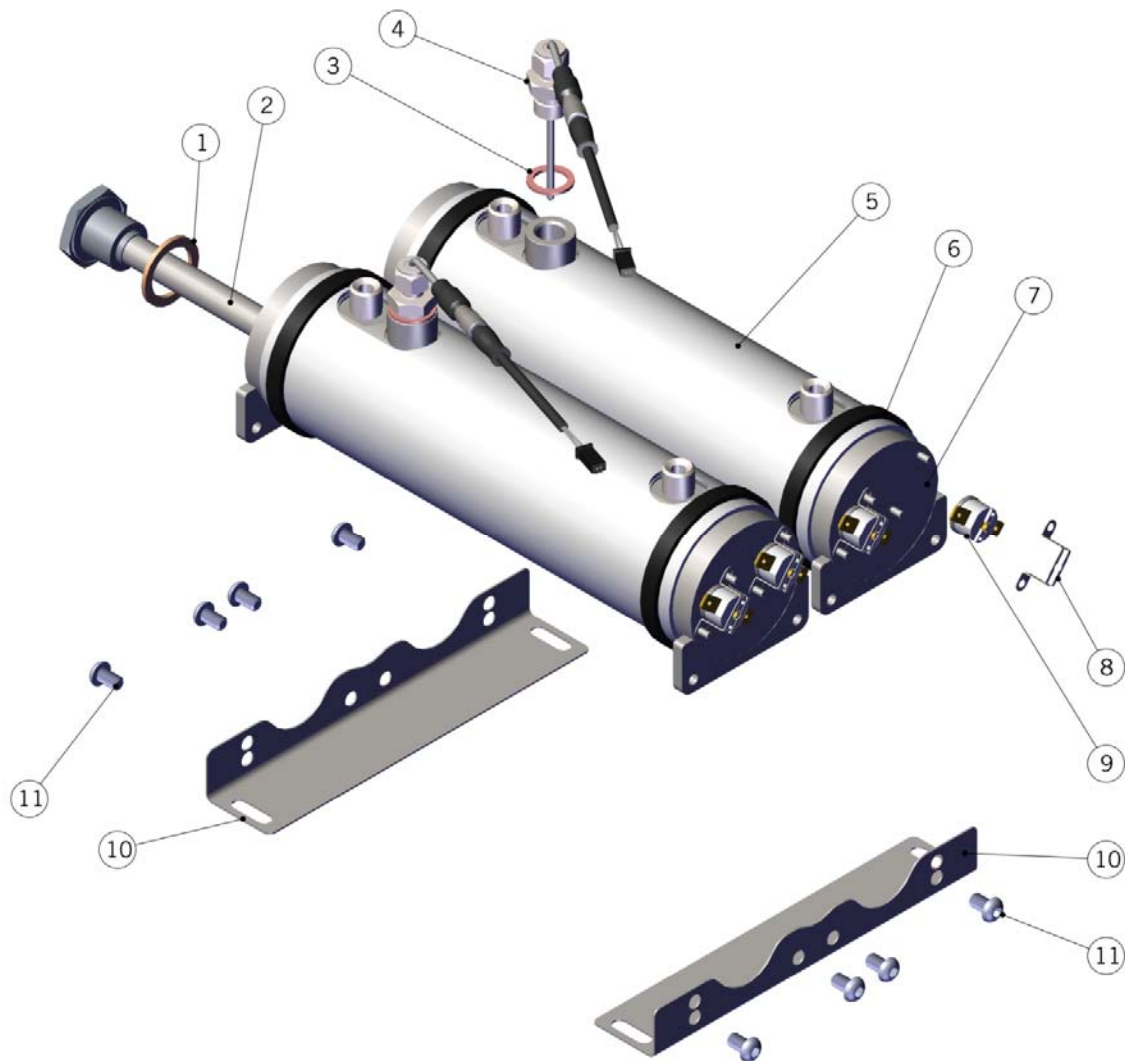
| POUR OVER MODULE SYSTEM | 1 | M-5006-01 | PANEL, BREW MOD, FRONT, WITH ENGRAVING |
|--------------------------------|------|-------------|--|
| | 2 | R-6002-01 | S/S SCREW M4X8 |
| | 3 | E-0044-01 | ENCODER KNOB, INNER, FOR GRAYHILL ENCODE |
| | 4 | E-0045-01 | ENCODER KNOB, OUTER, FOR GRAYHILL ENCODE |
| | 5 | M-0100-01 | SCREW M3X10 HEX HEAD |
| | 6 | E-5011-01 | SELECTOR 2 POSITION |
| | 7 | E-5012-01 | CONTACTS SUPPORT |
| | 8 | E-0130-01 | CONTACT BLOCK |
| | 9 | E-0024-01 | USB-A PANEL MOUNT CONNECTOR, 6 CABLE |
| | 10 | M-5010-01 | ANODIZED, BREW FRAME |
| | 11 | M-5013-01 | PANEL, BREW, SIDE COVER |
| | 12 | M-5014-01 | PANEL, TOP |
| | 13 | M-5012-01 | TELAIETTO SUPPORTO MANOPOLA ENCODER |
| | 14 | E-0032-01 | NAVIGATION JOISTICK ENCODER |
| | 15 | M-5011-01 | TELAIETTO SUPPORTO DISPLAY |
| | 16 | EA-0008-03 | MAIN DISPLAY ASSEMBLY |
| | 17 | 5.120 | FOOT. 3/4 DIA RUBBER |
| | 18 | M-5004-01 | ANODIZED MOUNTING PLATE, BREW MODULE |
| | Item | Part number | Description |



| POUR OVER MODULE SYSTEM | 1 | R-6002-01 | S/S SCREW M4X8 |
|-------------------------|------|-------------|--|
| | 2 | M-0031-01 | SCREW M6X8 |
| | 3 | M-5007-01 | PANEL, BREW, WATER INLET, WITH ENGRAVING |
| | 4 | M-5019-01 | "STEEL FAN GUARD FOR 3.15"" (80 MM) FAN" |
| | 5 | M-6015-01 | PANEL, BREW, ELECTRICAL INLET |
| | 6 | E-5010-01 | FAN, 80X80X25MM, 12V, EFFIZIO, FLUID BAL |
| | 7 | E-0126-01 | DUAL SOLID STATE RELAY |
| | 8 | E-5025-01 | POWER SUPPLY, AC-DC, SWITCHING, 15W, 5V, |
| | 9 | M-5005-01 | PANEL, ELECTRONICS ENCLOSURE FRAME |
| | 10 | M-0097-02 | SCREW M3X4 |
| | 11 | E-0127-01 | ELECTRICAL FILTER |
| | 12 | EA-0006-02 | MAIN CIRCUIT BOARD |
| | 13 | E-0024-01 | USB-A PANEL MOUNT CONNECTOR, 6 CABLE |
| | 14 | M-0100-01 | SCREW M3X10 HEX HEAD |
| | 15 | E-0128-01 | MAIN POWER SWITCH |
| | 16 | E-0108-01 | POWER INLET ADAPTOR |
| | 17 | L334/12 | 12 STUD TERMINAL BLOCK |
| | 18 | E.4.127 | MORSETTO FEMMINA 12 PORTE |
| | 19 | E.4.128 | MORSETTO FEMMINA 4 PORTE |
| | Item | Part number | Description |



| POUR OVER MODULE SYSTEM | 1 | LAD070 | FLOW METER |
|-------------------------|----|------------|--|
| | 2 | LAD070/V | FLOW METER IMPELLER |
| | 3 | LAD070/S1 | FLOW METER O-RING |
| | 4 | LAD070/S | FLOW METER FIELD SENSOR |
| | 5 | P-0015-01 | "FITTING, 1/4"" STEM X 1/4 UNI, PUSH CON |
| | 6 | P-5001-01 | "MANIFOLD, WATER INLET,5/8"" THICKNESS - |
| | 7 | P-0111-01 | FITTING, FRACTIONAL TUBE ELBOW WITH MALE |
| | 8 | P-5002-01 | "MANIFOLD, WATER INLET,5/8"" THICKNESS - |
| | 9 | L100/1A | WASHER 13,5X19X1,5 COPPER |
| | 10 | L037/3.01 | G1/4" NIPPLE FITTING |
| | 11 | P-6007-01 | TUBE SOLENOID VALVE - MANIFOLD |
| | 12 | P-0024-01 | TUBO CALDAIA OUTLET - ELETTROVALVOLA |
| | 13 | P-0023-01 | TUBO COLLEGAMENTO INLET BOILER CON OUTLE |
| | 14 | P-0069-01 | TUBO CONT.VOL -CALDAIA INLET MODBAR POUR |
| | 15 | P-6012-01 | TUBE CHECK VALVE - FLOWMETER MODBAR |
| | 16 | B.2.008.02 | CHECK VALVE GS3 TREATED |
| | 17 | P-6002-01 | TUBE WATER INLET MODBAR - CHECK VALVE |
| | 18 | L100/D | WASHER 10X14X1,5 COPPER |
| | 19 | L053/1 | M G1/8" - M G1/4" FITTING |
| | 20 | P-0127-01 | 24V DC SOLENOID ASSEMBLY COMPLETE |
| | 21 | P-0092-01 | "FLOW CONTROL VALVE, FLOW OUT, 1/4"" TUB |
| | 22 | B.2.026 | COIL FOR MODBAR SOLENOID VALVE |
| | 23 | A.5.077 | CANOTTO 316L C/O-RING PER EV MODBAR |
| | 24 | L100/H | 3-WAY SOLENOID VALVE PLUNGER |
| | 25 | P-6028-01 | ELBOW FITTING G 1/8 M - G 1/8 F |
| | | Item | Part number |



| POUR OVER MODULE SYSTEM | 1 | M-6005-01 | GASKET, UNIFLON FOR CYLINDRICAL HEATING |
|------------------------------------|------|-------------|---|
| | 2 | E-6000-01 | COFFEE BOILER HEATING ELEMENT |
| | 3 | L100/1A | WASHER 13,5X19X1,5 COPPER |
| | 4 | E.1.005 | PT1000 TEMPERATURE PROBE |
| | 5 | M-6004-01 | INSULATION, BREW BOILER |
| | 6 | A.5.016.01 | PLASTIC FASTENER 750X7.5 |
| | 7 | A-6001-01 | BREW BOILER |
| | 8 | F.9.002 | STAFFA TERMOSTATO L276/E.5.002 |
| | 9 | E-5008-01 | THERMOSTAT CAMPINI WITHOUT RED PIN |
| | 10 | M-5003-01 | BRACKET, BOILER MOUNTING, UNIVERSAL |
| | 11 | M-0031-01 | SCREW M6X8 |
| | Item | Part number | Description |