

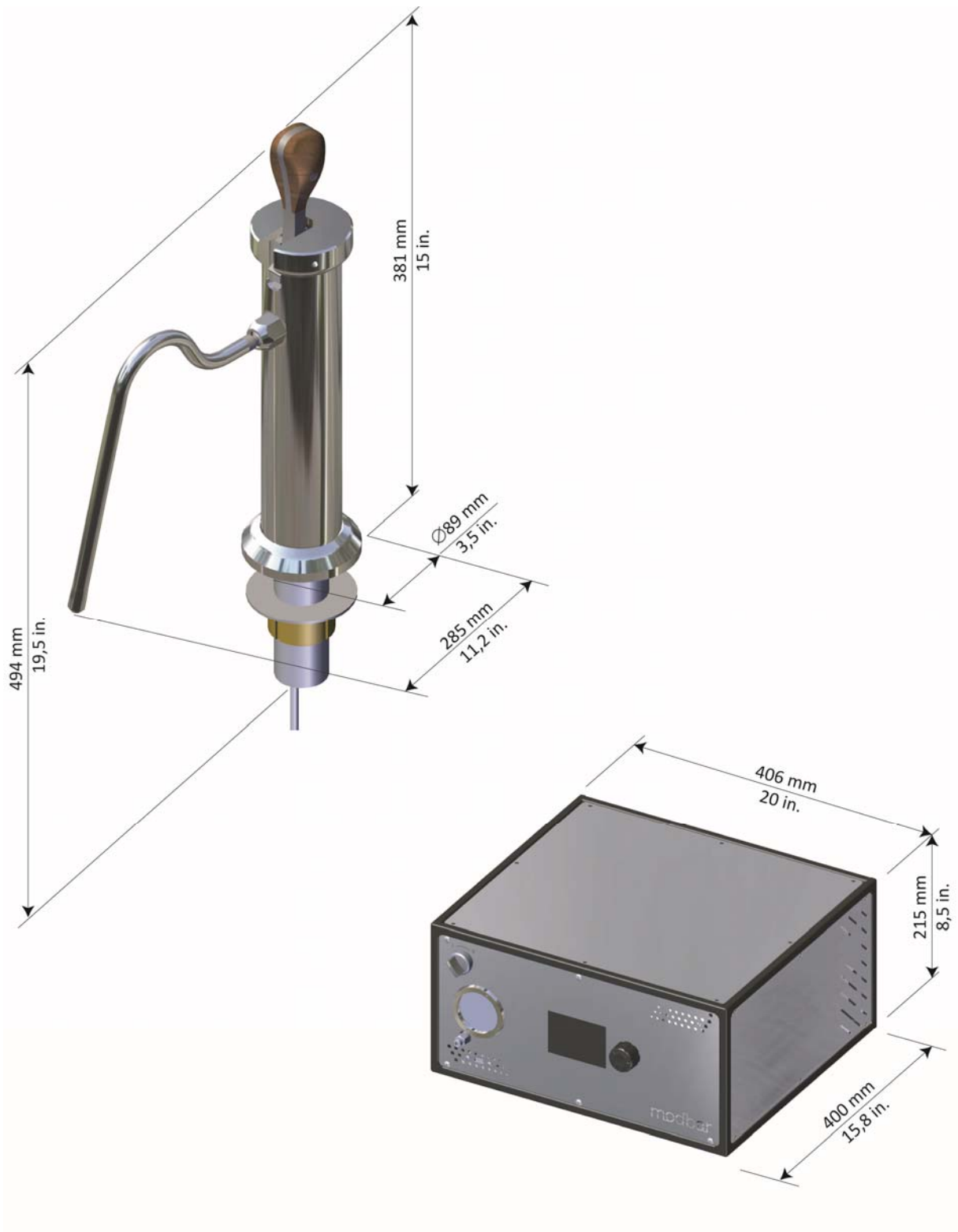
**modbar**<sup>TM</sup>  
modular brewing systems

**Parts Catalog**  
**Steam System**

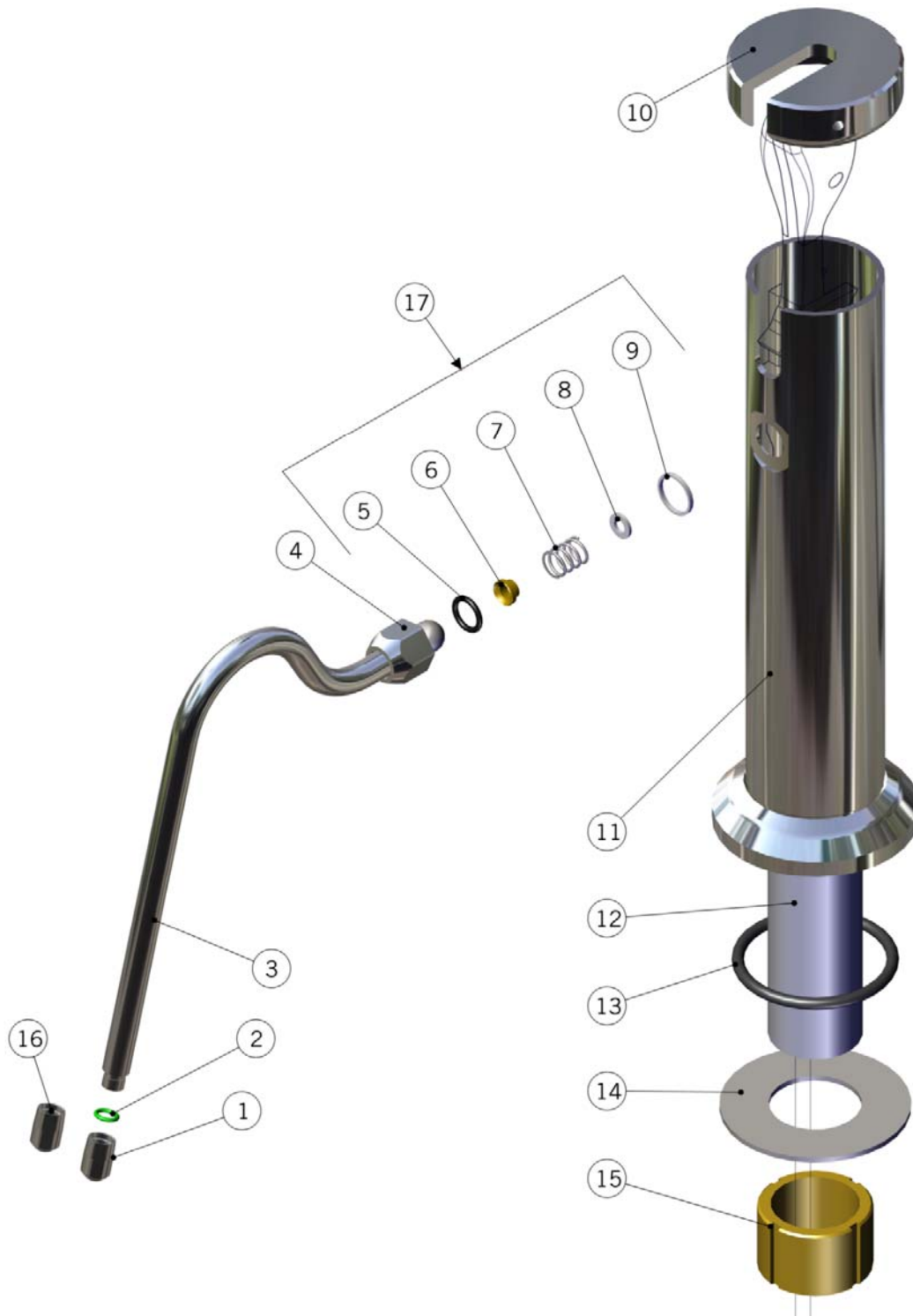


## Contents

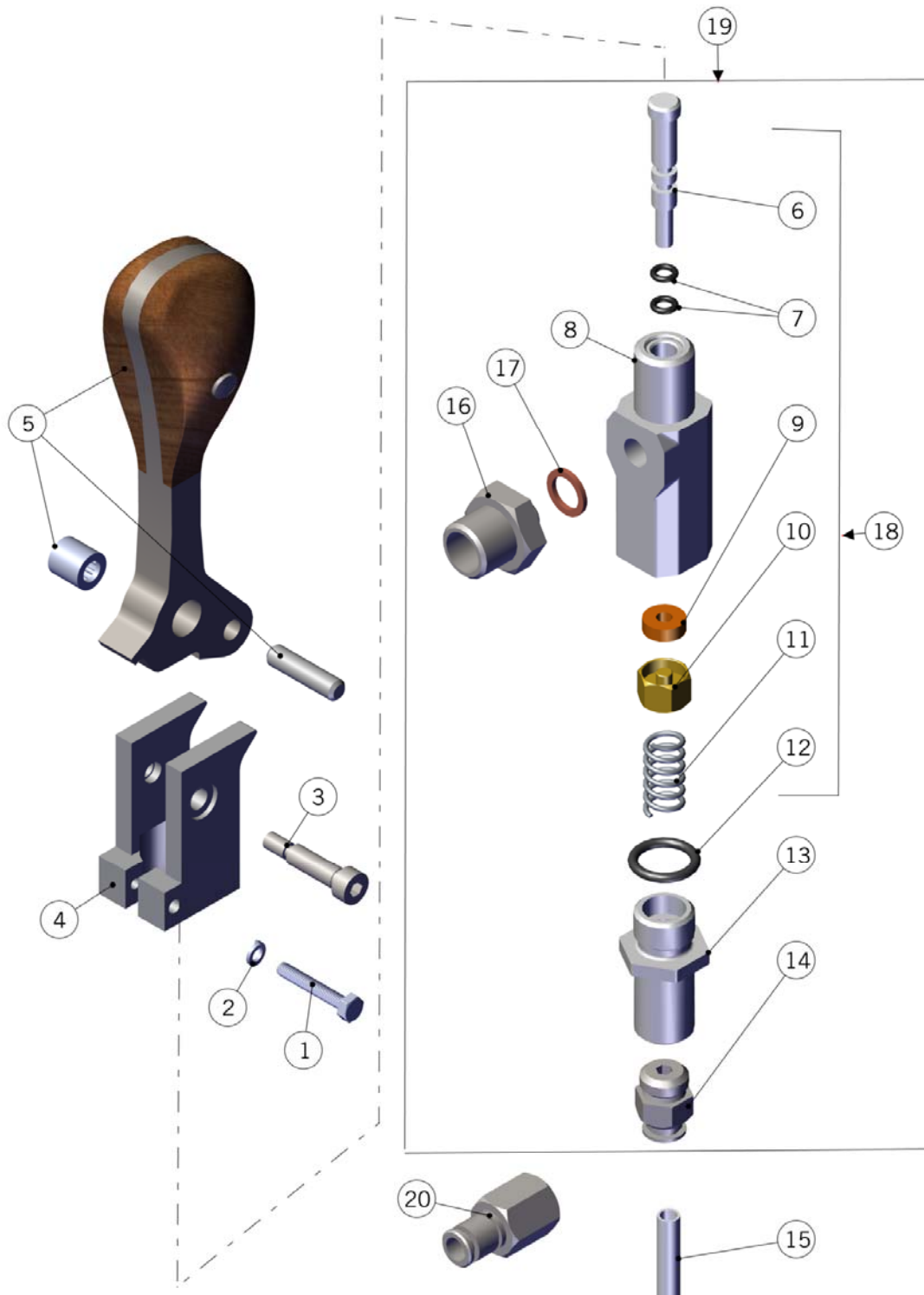
|                           |       |
|---------------------------|-------|
| SPECIFICATIONS .....      | 3-4   |
| STEAM TAP SYSTEM .....    | 5-6   |
| STEAM TAP SYSTEM .....    | 7-8   |
| STEAM MODULE SYSTEM ..... | 9-10  |
| STEAM MODULE SYSTEM ..... | 11-12 |
| STEAM MODULE SYSTEM ..... | 13-14 |
| STEAM MODULE SYSTEM ..... | 15-16 |
| STEAM MODULE SYSTEM ..... | 17-18 |



|                       |                             |        |                          |
|-----------------------|-----------------------------|--------|--------------------------|
| <b>SPECIFICATIONS</b> | Electrical Voltage          | V      | 220-240V                 |
|                       | Weights                     | Kg     | 23 (Module)<br>5,5 (Tap) |
|                       |                             | lb     | 50 (Module)<br>12 (Tap)  |
|                       | Wattage                     | W      | 2500                     |
|                       | Required Available Amperage | A      | 11                       |
|                       | Frequency                   | Hz     | 50/60                    |
|                       | Capacity                    | liters | 4,2                      |

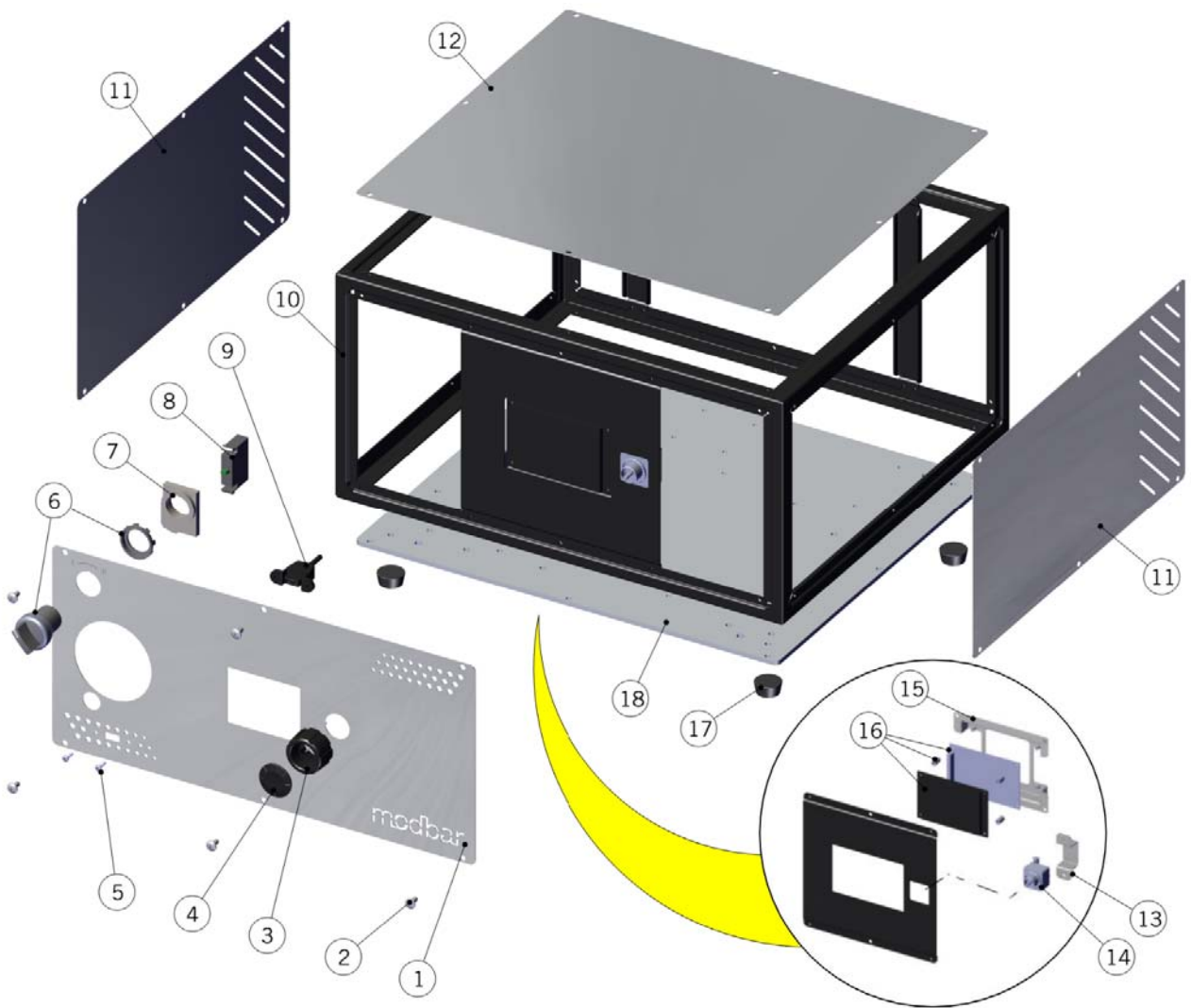


| STEAM TAP SYSTEM | 1           | A.5.050      | PERFORMANCE TOUCH STEAM TIP              |
|------------------|-------------|--------------|--|
|                  | 2           | H.1.027      | O-RING 1,78X7,65 VITON 75 SHA            |
|                  | 3           | A-6004-01    | PERFORMANCE TOUCH MODBAR STEAM WAND      |
|                  | 4           | P-0061-02    | DADO FISSAGGIO LEVA VAPORE               |
|                  | 5           | M-0145-03    | O-RING, FOR STEAM WAND ACORN NUT, INTERN |
|                  | 6           | P-0083-02    | SLEEVE, BRASS, FOR STEAM BALL FITTING IN |
|                  | 7           | M-0130-02    | STEAM WAND SPRING                        |
|                  | 8           | RONDELLA6X12 | WASHER 6,4X12X1,5 S/S A2                 |
|                  | 9           | M-0160-01    | PTFE GASKET 17,5X20X2                    |
|                  | 10          | M-6020-01    | STEAM DISPENSER CAP                      |
|                  | 11          | A-6005-01    | STEAM DISPENSER TAP                      |
|                  | 12          | M-0074-01    | THREADED TUBE                            |
|                  | 13          | M-0151-01    | O-RING, STEAM FONT, BASE SEAL, NITRILE,  |
|                  | 14          | M-0076-01    | "18-8 SS GENERAL PURPOSE FLAT WASHER 1-1 |
|                  | 15          | M-5002-01    | 1.5 -12 MOUNTING NUT, 6061 ALUMINUM      |
|                  | 16          | A.5.054      | STEAM TIP PERFORMANCE TOUCH 1,2MM        |
|                  | 17          | 994          | STEAM WAND SERVICE KIT                   |
| Item             | Part number | Description  |  |

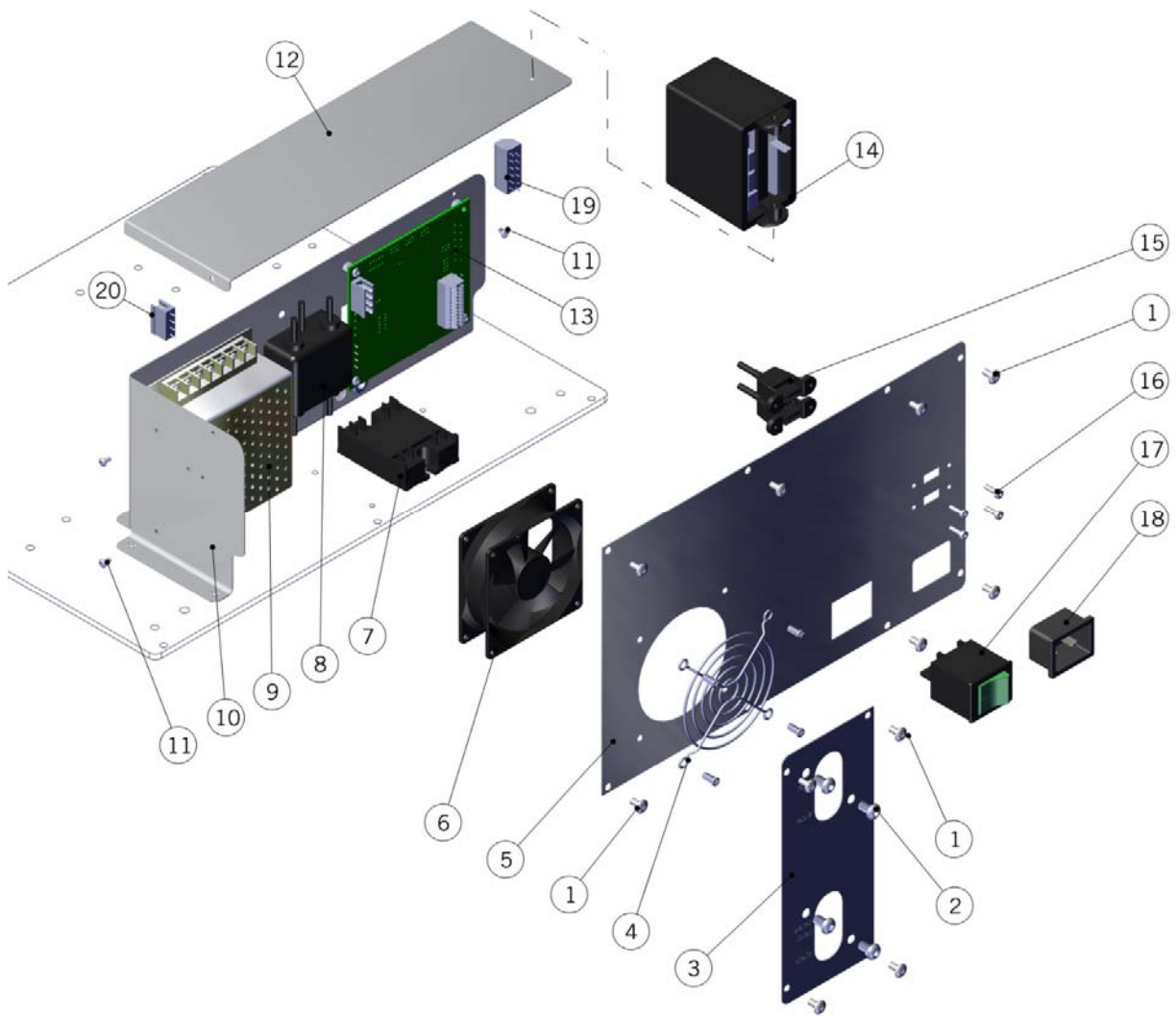




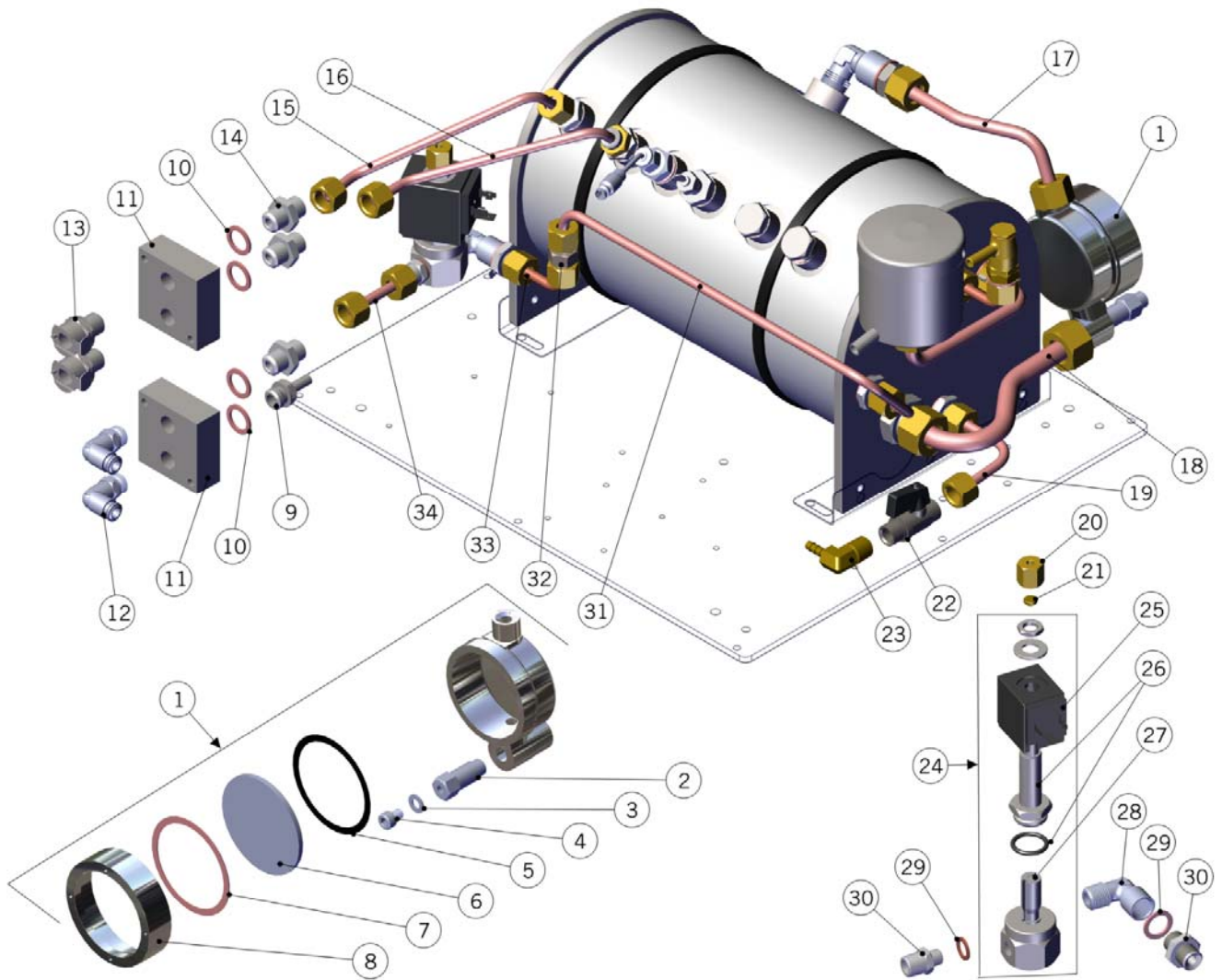
| STEAM TAP SYSTEM | 1    | M-0146-01   | SCREW M4X25 HEX HEAD                     |
|------------------|------|-------------|--|
|                  | 2    | M-0101-01   | S/S SPLIT WASHER FOR M4                  |
|                  | 3    | M-6023-01   | 316 ST.ST.SHOULDER SCREW 1/4             |
|                  | 4    | M-6016-01   | STEAM LEVER BRACKET                      |
|                  | 5    | 995         | STEAM HANDLE ASSEMBLY WITH PIN           |
|                  | 6    | M-6017-01   | DRIVE SHAFT FOR SEAT VALVE               |
|                  | 7    | M-0110-01   | O-RING, FOR STEAM SEAT VALVE DRIVE SHAFT |
|                  | 8    | M-6018-01   | MODBAR STEAM VALVE BODY                  |
|                  | 9    | P-6014-01   | STEAM VALVE SEAL GASKET                  |
|                  | 10   | M-6030-01   | STEAM VALVE SEAL HOLDER TREATED          |
|                  | 11   | M-6019-01   | STEAM VALVE SPRING                       |
|                  | 12   | P-0062-01   | STEAM VALVE ORING                        |
|                  | 13   | P-6013-01   | FITTING FOR STEAM VALVE                  |
|                  | 14   | P-0110-01   | FITTING, FRACTIONAL TUBE WITH MALE UNIVE |
|                  | 15   | R-0028-01   | PTFE STEAM TUBE                          |
|                  | 16   | P-6018-01   | FITTING G3/8M # G1/8M WR22 S/S           |
|                  | 17   | L100/D      | WASHER 10X14X1,5 COPPER                  |
|                  | 18   | 993         | STEAM VALVE SERVICE KIT                  |
|                  | 19   | 992         | STEAM VALVE COMPLETE ASSEMBLY            |
|                  | 20   | P-0113-01   | FITTING STEAM COUPLER MALE               |
|                  | Item | Part number | Description                              |



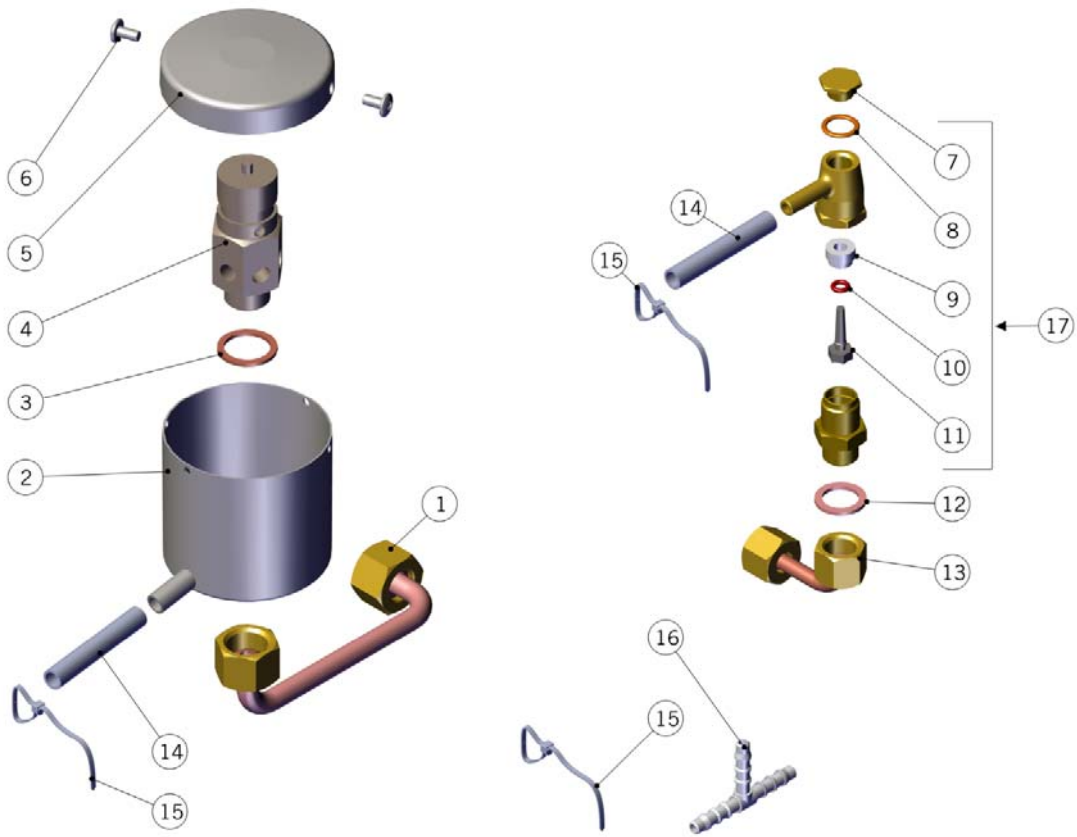
| STEAM MODULE SYSTEM | 1    | M-6029-01   | PANEL, STEAM MOD, FRONT, WITH ENGRAVING  |
|---------------------|------|-------------|--|
|                     | 2    | R-6002-01   | S/S SCREW M4X8                           |
|                     | 3    | E-0044-01   | ENCODER KNOB, INNER, FOR GRAYHILL ENCODE |
|                     | 4    | E-0045-01   | ENCODER KNOB, OUTER, FOR GRAYHILL ENCODE |
|                     | 5    | M-0100-01   | SCREW M3X10 HEX HEAD                     |
|                     | 6    | E-5011-01   | SELECTOR 2 POSITION                      |
|                     | 7    | E-5012-01   | CONTACTS SUPPORT                         |
|                     | 8    | E-0130-01   | CONTACT BLOCK                            |
|                     | 9    | E-0024-01   | USB-A PANEL MOUNT CONNECTOR, 6 CABLE     |
|                     | 10   | M-6021-01   | ANODIZED, STEAM FRAME                    |
|                     | 11   | M-6028-01   | PANEL, STEAM MODULE, SIDE COVER          |
|                     | 12   | M-5014-01   | PANEL, TOP                               |
|                     | 13   | M-5012-01   | TELAIETTO SUPPORTO MANOPOLA ENCODER      |
|                     | 14   | E-0032-01   | NAVIGATION JOISTICK ENCODER              |
|                     | 15   | M-5011-01   | TELAIETTO SUPPORTO DISPLAY               |
|                     | 16   | EA-0008-03  | MAIN DISPLAY ASSEMBLY                    |
|                     | 17   | 5.120       | FOOT. 3/4 DIA RUBBER                     |
|                     | 18   | M-5004-01   | ANODIZED MOUNTING PLATE, BREW MODULE     |
|                     | Item | Part number | Description                              |



| STEAM MODULE SYSTEM | 1    | R-6002-01   | S/S SCREW M4X8                             |
|---------------------|------|-------------|--|
|                     | 2    | M-0031-01   | SCREW M6X8                                 |
|                     | 3    | M-6026-01   | PANEL, STEAM MODULE, MANIFOLD PLATE, WIT   |
|                     | 4    | M-5019-01   | "STEEL FAN GUARD FOR 3.15"" (80 MM) FAN"   |
|                     | 5    | M-6027-01   | PANEL, STEAM MODULE, ELECTRONICS ENCLOSURE |
|                     | 6    | E-5010-01   | FAN, 80X80X25MM, 12V, EFFIZIO, FLUID BAL   |
|                     | 7    | E-0126-01   | DUAL SOLID STATE RELAY                     |
|                     | 8    | E-0127-01   | ELECTRICAL FILTER                          |
|                     | 9    | E-5025-01   | POWER SUPPLY, AC-DC, SWITCHING, 15W, 5V,   |
|                     | 10   | M-5005-01   | PANEL, ELECTRONICS ENCLOSURE FRAME         |
|                     | 11   | M-0097-02   | SCREW M3X4                                 |
|                     | 12   | M-6025-01   | PANEL STEAM ELECTRONICS ENCLOSURE COVER    |
|                     | 13   | EA-0006-02  | MAIN CIRCUIT BOARD                         |
|                     | 14   | LA050       | WATER LEVEL UNIT FOR EE                    |
|                     | 15   | E-0024-01   | USB-A PANEL MOUNT CONNECTOR, 6 CABLE       |
|                     | 16   | M-0100-01   | SCREW M3X10 HEX HEAD                       |
|                     | 17   | E-0128-01   | MAIN POWER SWITCH                          |
|                     | 18   | E-0108-01   | POWER INLET ADAPTOR                        |
|                     | 19   | E.4.127     | MORSETTO FEMMINA 12 PORTE                  |
|                     | 20   | E.4.128     | MORSETTO FEMMINA 4 PORTE                   |
|                     | Item | Part number | Description                                |

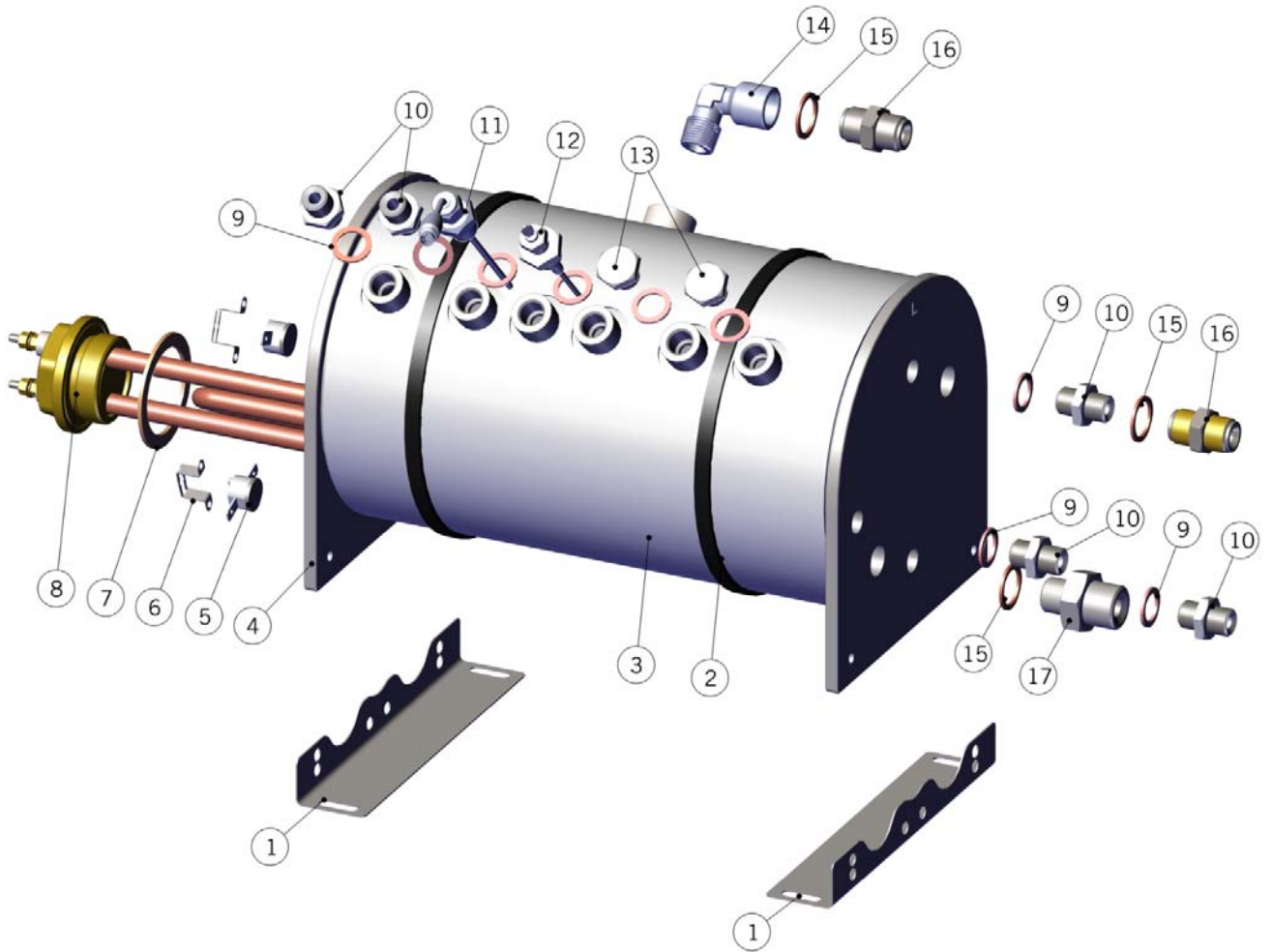


| STEAM MODULE SYSTEM | 1                  | L120_C.01          | COMPLETE SIGHT GLASS                     |
|---------------------|--------------------|--------------------|--|
|                     | 2                  | L120/1CR           | SIGHT GLASS DRAIN FITTING                |
|                     | 3                  | L120/2A            | WASHER 6,3X12X1 COPPER                   |
|                     | 4                  | L120/2             | SCREW M6X10 SOCKET CAP S/S A2            |
|                     | 5                  | L122/A             | SIGHT GLASS VITON O-RING 8-162           |
|                     | 6                  | L122               | SIGHT GLASS, GLASS D 61,5 THK 5          |
|                     | 7                  | L122/B             | SIGHT GLASS GASKET 62X55X0,5             |
|                     | 8                  | L121               | SIGHT GLASS CHROME BEZEL                 |
|                     | 9                  | P-0015-01          | "FITTING, 1/4"" STEM X 1/4 UNI, PUSH CON |
|                     | 10                 | L100/1A            | WASHER 13,5X19X1,5 COPPER                |
|                     | 11                 | P-5001-01          | "MANIFOLD, WATER INLET,5/8"" THICKNESS - |
|                     | 12                 | P-0111-01          | FITTING, FRACTIONAL TUBE ELBOW WITH MALE |
|                     | 13                 | P-0112-01          | 1/4 BSPT VALVED COUPLING BODY HIGH TEMP  |
|                     | 14                 | L037/3.01          | G1/4" NIPPLE FITTING                     |
|                     | 15                 | P-6024-01          | TUBE ASSEMBLY, STEAM MODULE, BOILER TO D |
|                     | 16                 | P-6023-01          | TUBE ASSEMBLY, STEAM MODULE, BOILER TO D |
|                     | 17                 | P-0029-03          | TUBE ASSEMBLY, STEAM MODULE, SIGHT GLASS |
|                     | 18                 | P-6020-01          | TUBING, STEAM MODULE, SIGHT GLASS TO BOI |
|                     | 19                 | P-6022-01          | TUBE, STEAM MODULE, BOILER TO DRAIN      |
|                     | 20                 | L134               | G1/8" F NUT - 4,5MM HOLE                 |
|                     | 21                 | L134/4             | 8MM BLIND FERRULE                        |
|                     | 22                 | P-6026-01          | BALL VALVE, 1/4" MBSPP X 1/4" FBSPP      |
|                     | 23                 | P-0093-01          | "HOSE BARB X MALE PIPE, 90, FORGED. 3/1  |
|                     | 24                 | P-0127-01          | 24V DC SOLENOID ASSEMBLY COMPLETE        |
|                     | 25                 | B.2.026            | COIL FOR MODBAR SOLENOID VALVE           |
|                     | 26                 | A.5.077            | CANOTTO 316L C/O-RING PER EV MODBAR      |
|                     | 27                 | L100/H             | 3-WAY SOLENOID VALVE PLUNGER             |
|                     | 28                 | P-6027-01          | ELBOW FITTING G 1/8 M - G 1/8 F          |
|                     | 29                 | L100/D             | WASHER 10X14X1,5 COPPER                  |
|                     | 30                 | L053/1             | M G1/8" - M G1/4" FITTING                |
|                     | 31                 | P-6019-01          | TUBING, STEAM MODULE, CHECK VALVE TO BOI |
|                     | 32                 | B.2.008.02         | CHECK VALVE GS3 TREATED                  |
|                     | 33                 | T.1.017            | TUBE H2O TEE - THERMOSTATIC VALVE GB5    |
|                     | 34                 | P-0026-01          | TUBE ASSEMBLY, STEAM MODULE, INLET TO FI |
| <b>Item</b>         | <b>Part number</b> | <b>Description</b> |  |





| <b>STEAM MODULE SYSTEM</b> | 1    | P-6021-01    | TUBING, STEAM MODULE, BOILER TO PRESSURE |
|----------------------------|------|--------------|--|
|                            | 2    | F.1.018.01   | CUP SAFETY VALVE W/DRAIN TUBE            |
|                            | 3    | L180/1       | WASHER 22X17X1,5 COPPER                  |
|                            | 4    | B.2.025      | SAFETY VALVE G3/8 2,5 BAR TEA            |
|                            | 5    | F.1.019      | SAFETY VALVE PROTECTION CUP COVER        |
|                            | 6    | I.1.006      | SCREW M4X8 PHILLIPS BUTTON HEAD S/S A2   |
|                            | 7    | B.1.001.T.01 | G1/8 ANTI-SUCTION VALVE CAP TREATED      |
|                            | 8    | B.1.001.TR   | SPECIAL WASHER 10X14X1,6 COPPER          |
|                            | 9    | B.3.001      | PTFE ANTI-SUCTION VALVE SEAL             |
|                            | 10   | F.2.019      | O-RING 102 SILICONE 70SH ANTI-SUCTION V. |
|                            | 11   | B.2.013.01   | ANTI-SUCTION VALVE SHAFT TREATED         |
|                            | 12   | L100/1A      | WASHER 13,5X19X1,5 COPPER                |
|                            | 13   | T.1.017      | TUBE H20 TEE - THERMOSTATIC VALVE GB5    |
|                            | 14   | P-0097-01    | ANTISUCTION VALVE SILICONE TUBE          |
|                            | 15   | L338/L100    | PLASTIC FASTENER 100X2.5                 |
|                            | 16   | P-0078-01    | T FITTING FOR SILICONE TUBE              |
|                            | 17   | L193.01      | VACUUM BREAKER VALVE RP                  |
|                            | Item | Part number  | Description                              |



| <b>STEAM MODULE SYSTEM</b> | 1    | M-5003-01   | BRACKET, BOILER MOUNTING, UNIVERSAL      |
|----------------------------|------|-------------|--|
|                            | 2    | A.5.016.01  | PLASTIC FASTENER 750X7.5                 |
|                            | 3    | M-6022-01   | INSULATION, STEAM BOILER                 |
|                            | 4    | A-6006-01   | STEAM BOILER ASSEMBLY                    |
|                            | 5    | E-5008-01   | THERMOSTAT CAMPINI WITHOUT RED PIN       |
|                            | 6    | F.9.002     | STAFFA TERMOSTATO L276/E.5.002           |
|                            | 7    | LR360       | 1-1/4 HEATER ELEMENT GASKET              |
|                            | 8    | E-6004-01   | HEATING ELEMENT W2500 V220 CM17 1-1/4    |
|                            | 9    | L100/1A     | WASHER 13,5X19X1,5 COPPER                |
|                            | 10   | L037/3.01   | G1/4" NIPPLE FITTING                     |
|                            | 11   | E.1.005     | PT1000 TEMPERATURE PROBE                 |
|                            | 12   | LA052       | WATER LEVEL PROBE                        |
|                            | 13   | A.5.022     | S/S CAP 1/4                              |
|                            | 14   | P-0049-01   | RACCORDO 3/4 MASCHIO X 3/4 FEMMINA A GOM |
|                            | 15   | L180/1      | WASHER 22X17X1,5 COPPER                  |
|                            | 16   | L305/N.01   | G3/8"M-G3/8"M NIPPLE FITTING             |
|                            | 17   | P-6016-01   | FITTING G1/2M- G3/8M WR27 INOX           |
|                            | Item | Part number | Description                              |