

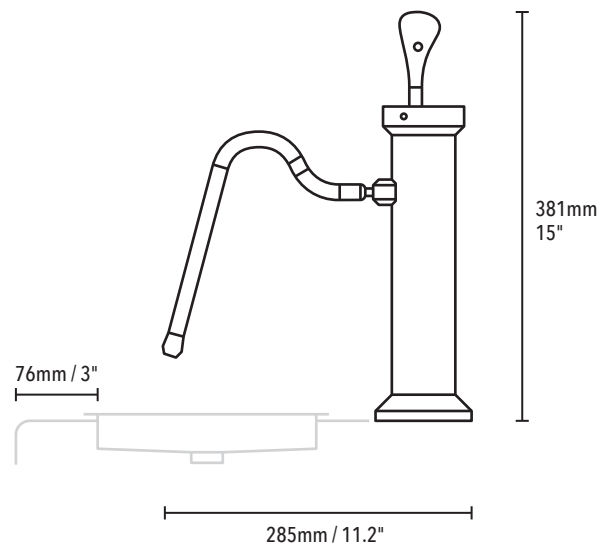
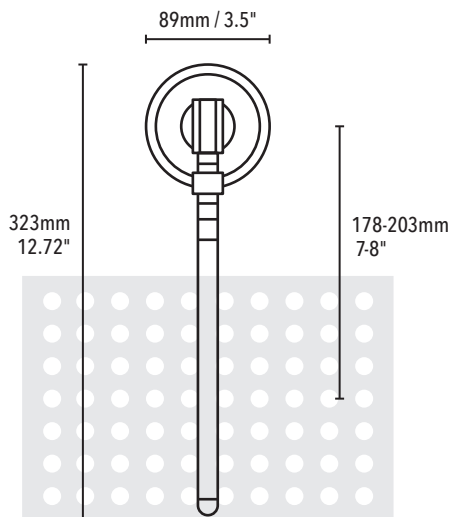
Pre-Installation Specifications Modbar Steam

Instructions for plumber, electrician, architect or designer, outlining the specific requirements PRIOR TO INSTALLATION of the Modbar Steam System.

Prepare your site for the installation of one or more tap(s) and drip tray(s) in the countertop surface and one or more module(s) on a well-ventilated shelf or rack directly below.

Designer or Architect Specifications – Above Counter

- A dry, well-ventilated counter area, which is between 800mm and 950mm high, with a depth of at least 500mm.
- 38mm holes drilled through the countertop for each tap and appropriate holes cut for each drip tray. Cuts should be made prior to the installation using the Modbar Steam layout template included with your system.
- If installing multiple taps, leave at least 300mm between center holes on adjacent taps.



Designer or Architect Specifications – Below Counter

- Cabinet space should have a depth of at least 500mm and a width of at least 650mm to allow for clearance around and behind the modules.
- Shelves or a wire rack should be provided to support each module.
- Rear access to modules recommended whether through sliding doors or removable panels.
- We **do not recommend** installing cabinet doors in this space.
- Cafe owner should consider where filtration will go. Water filtration is required for all equipment.

Water Specifications

Your filtration system should produce water with the following properties:

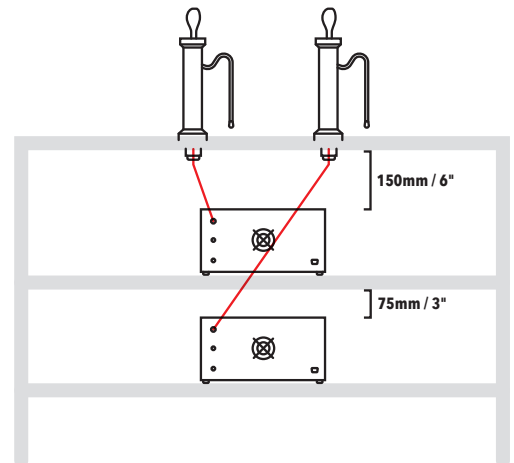
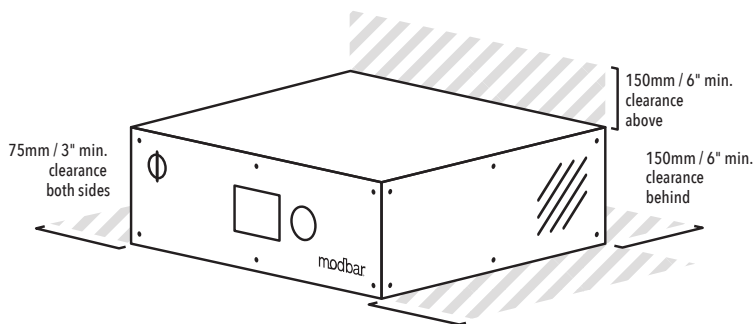
T.D.S.	90–150ppm
TOTAL HARDNESS	70–100 ppm
TOTAL IRON	0–0.02ppm
FREE CHLORINE	0–0.05ppm
TOTAL CHLORINE	0–0.1ppm

PH	6.5–8
ALKALINITY	40–80ppm
CHLORIDE	0–30ppm
LINE PRESSURE	3–5 bar
FLOW RATE	2 GPM/8 LPM

Module Dimensions & Specifications

MODULE	WIDTH (+CLEARANCE)	DEPTH (+CLEARANCE)	HEIGHT (+CLEARANCE)	WEIGHT	VOLTAGE	RECEPTACLE	WATTAGE
Steam	406mm (+150mm)	356mm (+150mm)	216mm (+75mm, or 150mm)	23 kg	208-240V	>12A outlet to meet local code	2500

Required Module Clearance



Plumber Specifications

- **Each module** requires a stop valve, with a flow rate of at least 4 litres per minute.
- Pressure between 3 bar and 5 bar. If pressure is too high i.e. >5 bar, pressure regulator is required.
- Owner should communicate with equipment installer about water filtration requirements. Talk with your sales representative for more information.

Waste Outlet

- Drain connection is 1/4" female pushfit.
- Open gravity drain of minimum 32mm interior diameter within 1m of module(s).
- Drain must be located **lower than the placement of the bottom-most module** in your Modbar system. There should be no less than 25mm per 300mm downward slope in drain line.

Electrician Specifications

- The electrical requirements are 208-240 Volt single-phase, 50-60hz supply with 16A **per module**. (Subpanels are useful in multiple-module installations.)
- All modules will be supplied with a moulded plug appropriate to your market on the power cord. Receptacle should be no further than 1.5m from the modules, with the electrician responsible for installation of appropriate socket.

