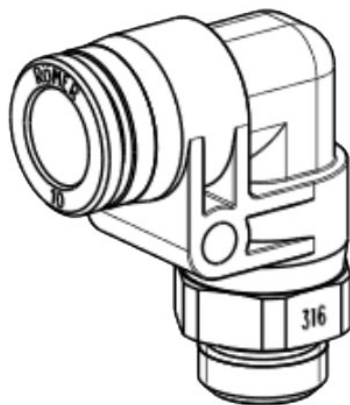




MODBAR TECHNICAL BULLETIN
#24
Water Inlet/Drain Connector and Hose

Dear Modbar family member,

We would like to inform you of the new water inlet/drain connector and hose for the Pourover and Espresso EP modules. We have changed to a larger diameter (10mm) water inlet and drain as this allows a more appropriate flow rate in to the module when demand is high as well as a more efficient drainage.



This change will take effect from serial number MB001373.

Please note that the new hose does not fit the previous connector, which had smaller diameter. As the previous (smaller diameter) hose won't be available as a spare part any longer, should you replace the hose with the new one on a module prior to the MB001373, it will be required to replace the connector as well.

The new connector has part number A.7.012 and the new hose has part number T.3.008. Both parts are already available for order from Nuova Ricambi.

Please do not hesitate to contact us if you have any questions.

Modbar Support Team.

service@modbar.com

technicalbulletins@modbar.com

18/06/2019



For technical documents, service and installation guides, please visit
<http://www.modbar.com/support>

Copyright © 2019 Modbar LLC, All rights reserved.
You're receiving this email as a MODBAR authorized distributor

Our mailing address is:
La Marzocco
Via La Torre 14/H
Scarperia, FI 50038
Italy

[Add us to your address book](#)