

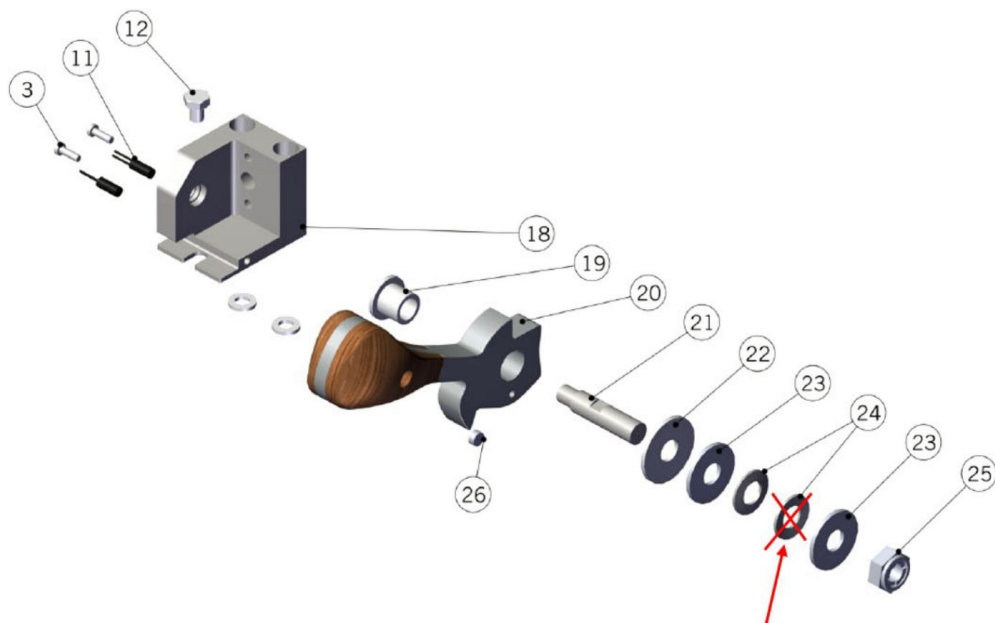


MODBAR TECHNICAL BULLETIN #25 AV Tap handle assembly

Dear Modbar family member,

We would like to inform you of a modification that has been made to the AV tap handle assembly. In order to have a firmer fastening of the locknut, one of the two belleville washers has been removed from the assembly.

In the previous configuration, the locking element of the nut was very close to the end of the bolt it was attached to, making it possible to loosen with use and consequently induce the reed switch not to work properly.



This change will take effect from serial number AV00003091 and we suggest to replicate this solution also on previously assembled AV taps.

Please do not hesitate to contact us if you have any questions.

Modbar Support Team.
service@modbar.com

02/08/2019



For technical documents, service and installation guides, please visit
<http://www.modbar.com/support>

Copyright © 2019 Modbar LLC, All rights reserved.
You're receiving this email as a MODBAR authorized
service partner

Our mailing address is:
628 Leesburg Road,
Fort Wayne,
IN 46808

