



MODBAR TECHNICAL BULLETIN  
#29  
pour-over sleeve update

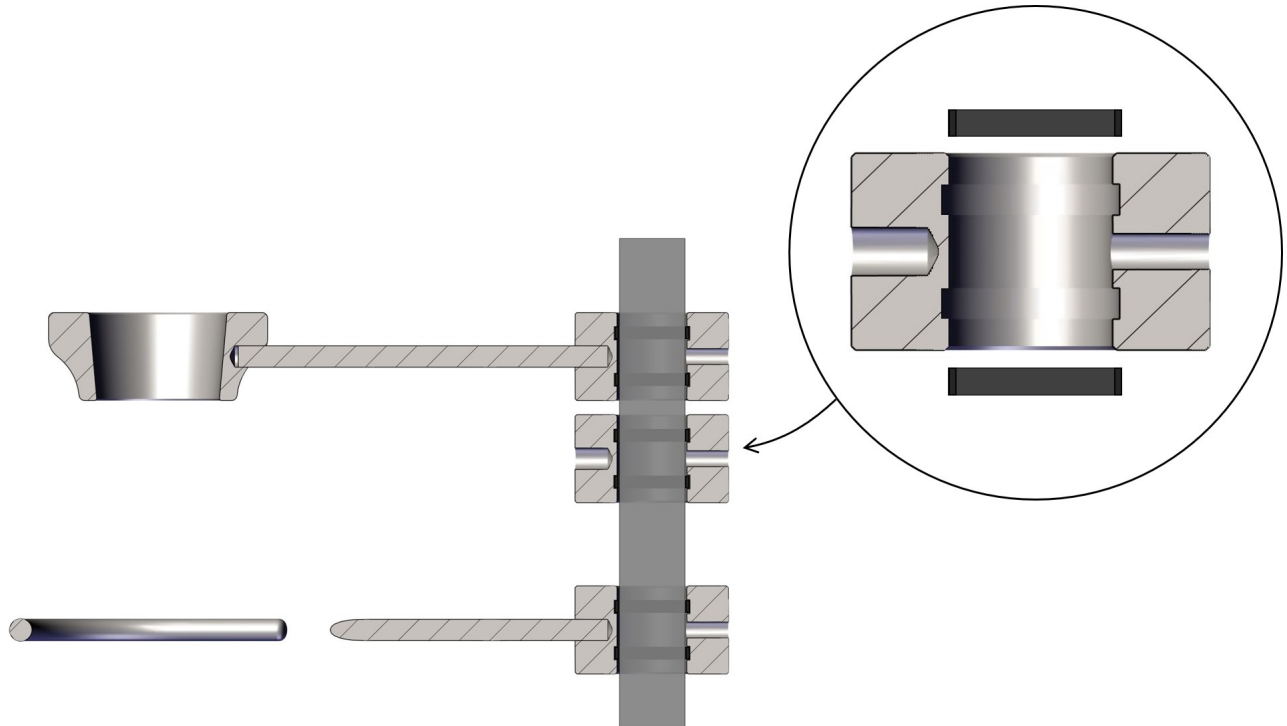
Dear Modbar family member,

We would like to inform you about a recent modification of the holders and sleeves of the pour-over tap.



To prevent the three sleeves from scratching the chromed rod, they have been modified with added grooves. Each groove houses a plastic ring which has a slightly smaller inner diameter than the sleeve, so that the metal can't touch the rod.

This modification takes effect from serial number PT00053116.



The old version of these three components is no longer available as a spare part and their part numbers are updated as follows:

A-0049-01 is substituted with 1103.

A-0062-01 is substituted with 1104.

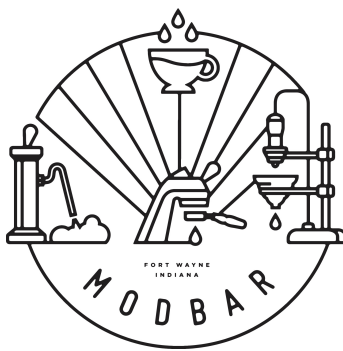
M-0089-02 is substituted with 1105.

Each sleeve is supplied with its plastic rings, which can also be ordered separately with code F.1.147.

Please do not hesitate to contact us if you have any questions.

*Modbar Support Team.*  
[service@modbar.com](mailto:service@modbar.com)

04/01/20



***For technical documents, service and installation guides, please visit***  
<http://www.modbar.com/support>

Copyright © 2020 Modbar LLC, All rights reserved.  
You're receiving this email as a MODBAR authorized  
service partner

Our mailing address is:  
628 Leesburg Road,  
Fort Wayne,  
IN 46808

