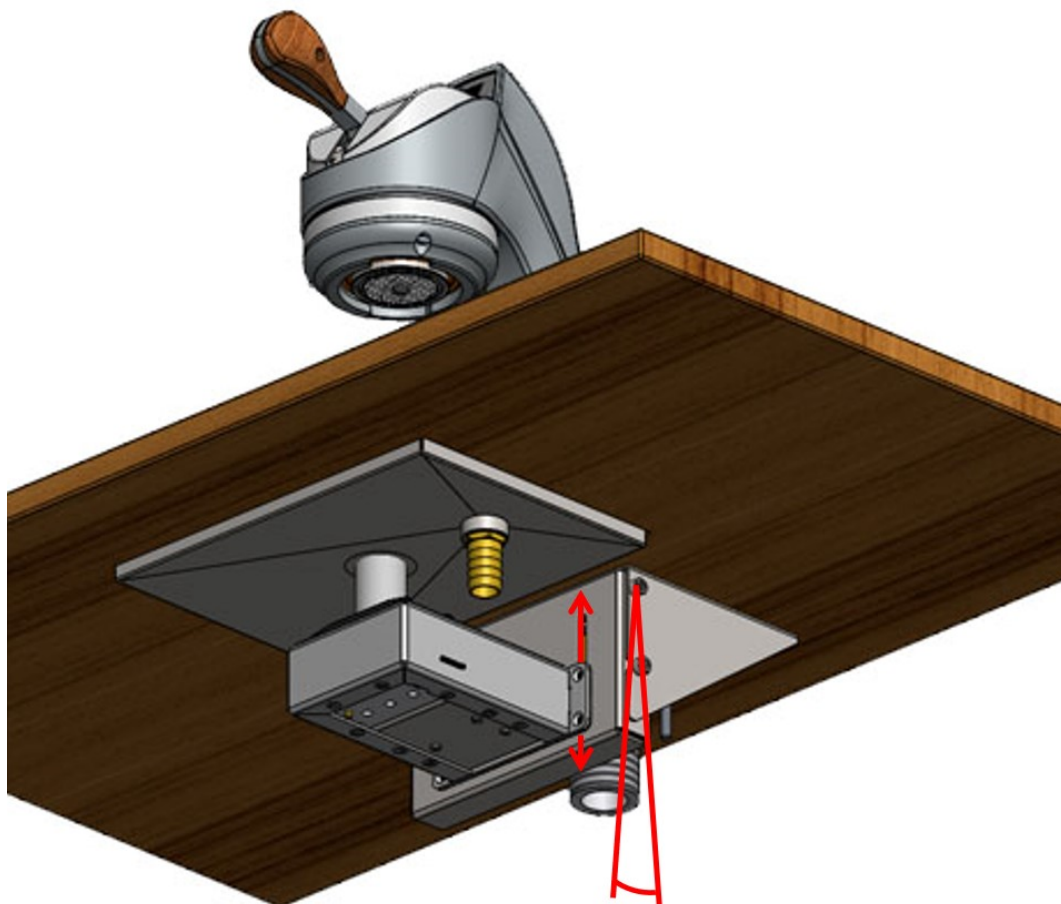




MODBAR TECHNICAL BULLETIN
#31
new scale bracket

Dear Modbar family member,

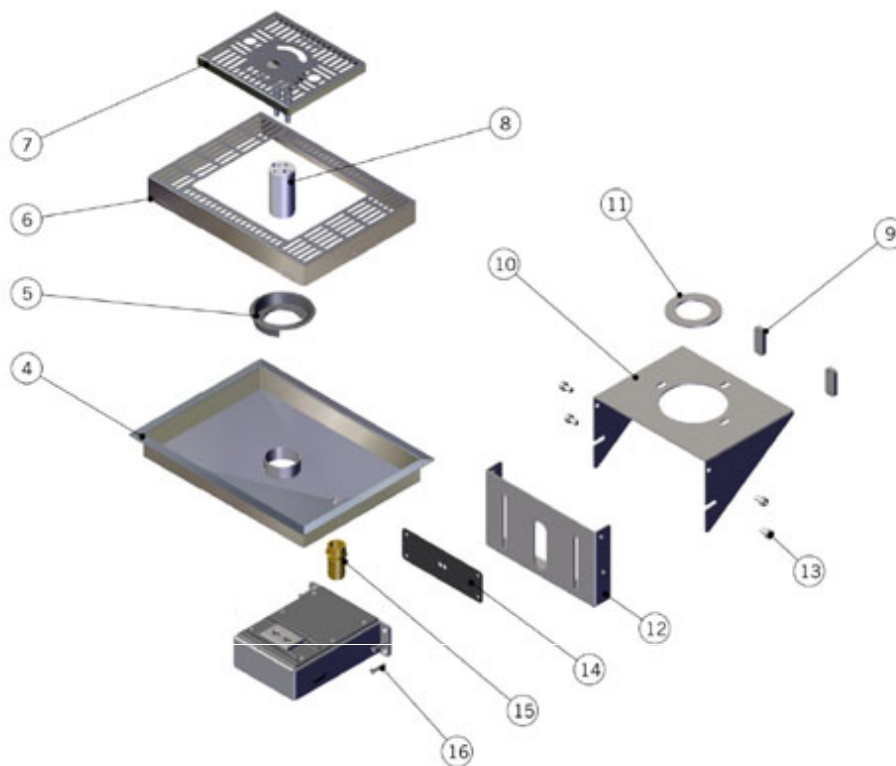
We would like to inform you about a recent modification of the scale bracket on the Modbar AV ABR kit.



The new assembly allows for more precise adjustment of the position of the scale grid and simplifies installation.

The scale box and grid are now able to pivot on the upper screws of the bracket, in addition to being adjustable upward and downward. With these adjustments, the installing technician is better able to make the internal grid perfectly match the external grid and tray, by correcting any sloping of the internal grid.

Once the right position is found, just tighten the lower screws to lock it and secure the assembly by tightening the upper ones too.



The spare parts catalog (which can be downloaded here <https://modbar.com/support/>) is already updated with the new system and all parts are available for order from Nuova Ricambi.

All ABR kits in production from now until the end of September 2020 will have a "NEW" label applied on the box, to indicate the presence of the new bracket.

Please do not hesitate to contact us if you have any questions.

Modbar Support Team.
service@modbar.com

07/08/20



For technical documents, service and installation guides, please visit
<http://www.modbar.com/support>

Copyright © 2020 Modbar LLC, All rights reserved.