



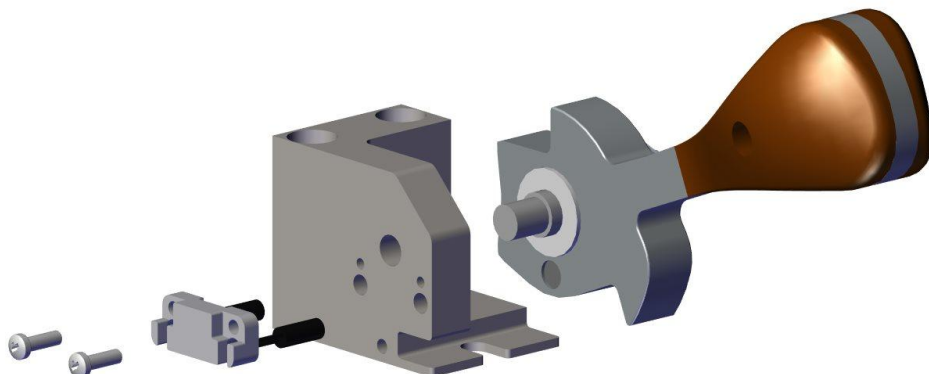
MODBAR TECHNICAL BULLETIN  
#35  
**espresso AV reed switches**

Dear Modbar family member,

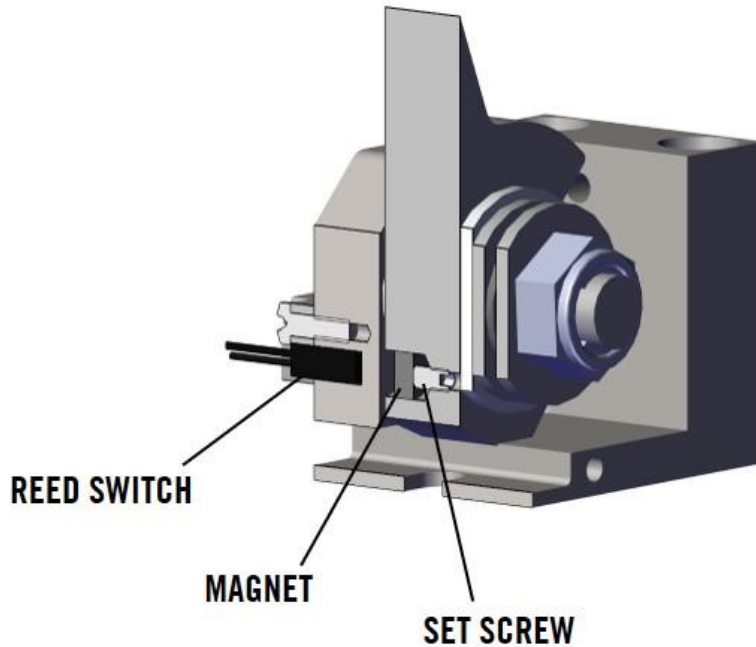
The reed switch assembly of the AV tap has been modified for increased reliability and easier installation.

A reed switch is a sensor that sends a signal to the electronics when a magnetic field is applied and it's used in the modbar AV tap to detect the lever actuation.

Starting from serial number MB002605, the two reed switches in the brew head will be secured with an aluminum bracket which firmly keeps them in place and minimizes the risk of damage by c



Starting from serial number MB002686 you will also find a set screw in the hole of the lever which is opposite to the magnet, as shown in the picture below. The set screw allows you to move the magnet back and forth to reach the correct distance from the reed switch, assuring proper functioning of the system.



Once the reed switches are secured and the magnet is pushed into the tap handle as far as it will go (photo A), turn the set screw clockwise until the signal is transmitted when moving the lever up and down (photo B).

Please note that also rotating the reed switch may affect its sensitivity, due to the variable internal position of the sensor.

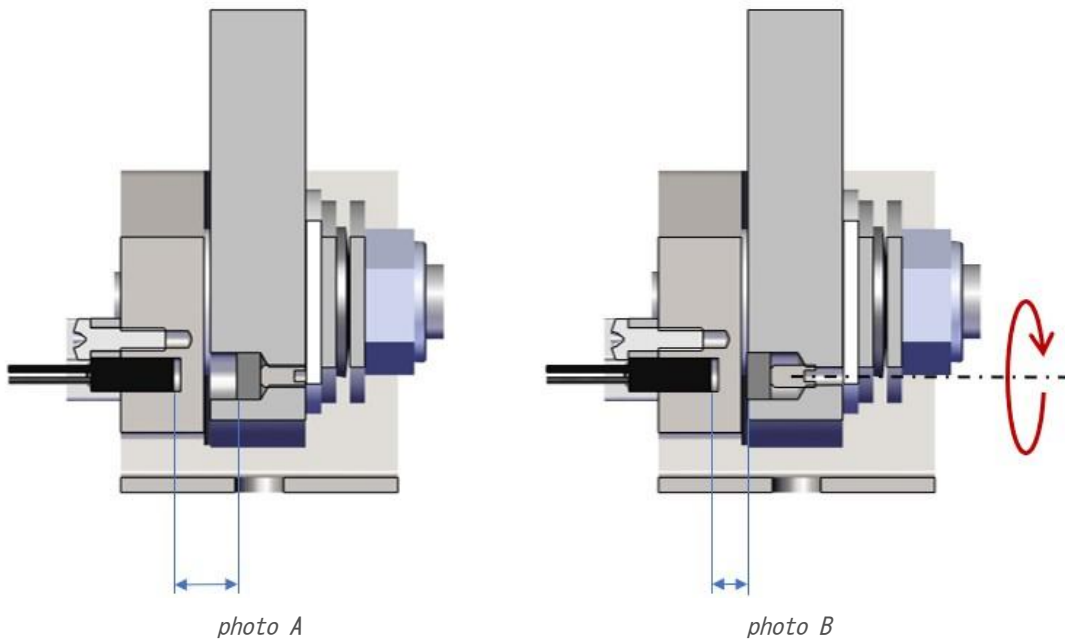


photo A

photo B

The new bracket is available as a spare part with code F.6.022 and the 3mm set screw is available with code I.1.102.

If you want to upgrade an older tap with the new system you can thread the existing hole in the lever and insert a set screw (in this case we suggest using a 4mm tap and the 4mm set screw I.1.101) or replace the lever with a new one.

All levers (both the walnut C.1.442.WW and the maple C.1.442.MW) which are now in stock at Nuova Ricambi, have the hole threaded for the 3mm set screw I.1.102.

Please do not hesitate to contact us if you have any questions.

Modbar Support Team.  
[support@modbar.com](mailto:support@modbar.com)

February 18th, 2021



***For technical documents, service and installation guides, please visit***  
<http://www.modbar.com/support>

Copyright © 2018 Modbar LLC, All rights reserved.



[unsubscribe from this list](#) | [update subscription preferences](#)