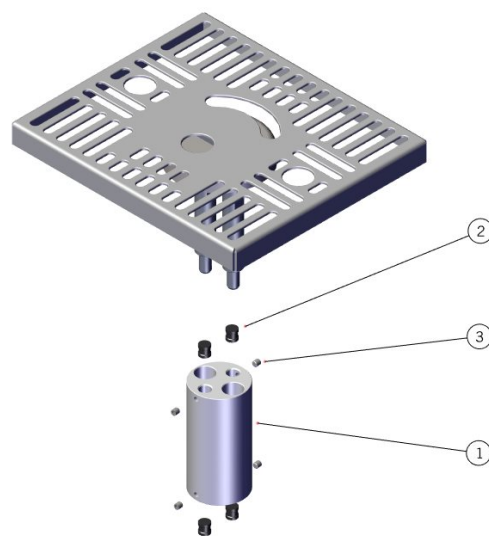




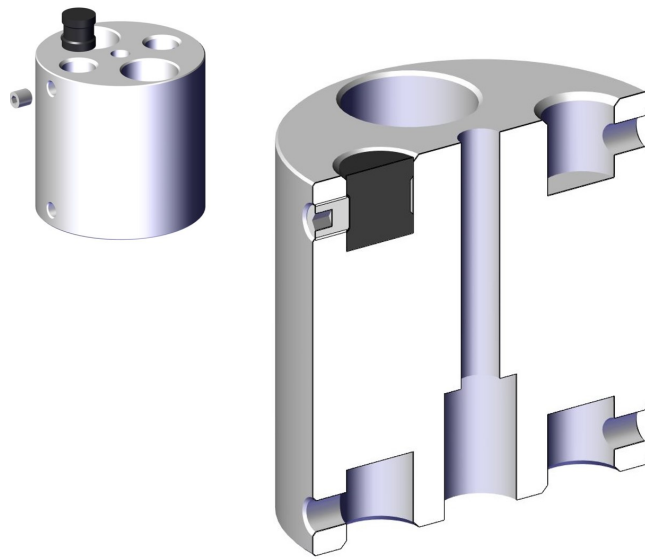
MODBAR TECHNICAL BULLETIN
#36
new magnets in scale tray

Dear Modbar family member,

we would like to inform you that the magnets that hold the cup tray in the scale assembly of modbar AV have been modified for a more secure attachment.



While in the older assembly the magnets were glued into the support (n.1 in the picture), we have now currently changed both the magnets and the support system so that it is now possible to firmly secure each magnet (n.2 in the picture) with a set screw (n.3 in the picture).



All scale kits for modbar AV that are currently in production have the new components.

The new support assembly is available as a spare part from Nuova Ricambi in the short version F.1.118.R and long version F.1.119.R and both of them are updated with the new system, although their part codes are unchanged.

Please do not hesitate to contact us if you have any questions.

Modbar Support Team.
support@modbar.com

March 31st, 2021



For technical documents, service and installation guides, please visit
<http://www.modbar.com/support>