



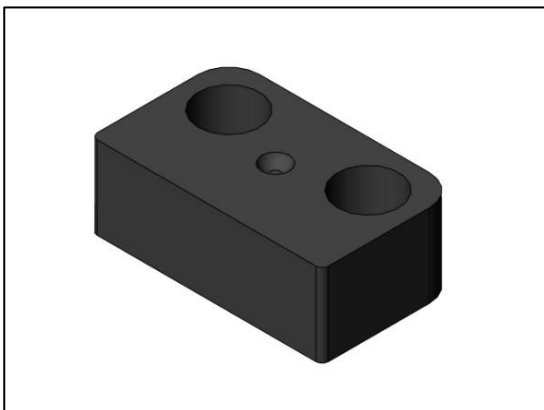
MODBAR TECHNICAL BULLETIN
#39

New raised-support rubber feet on all Modbar modules

Dear Modbar family member,

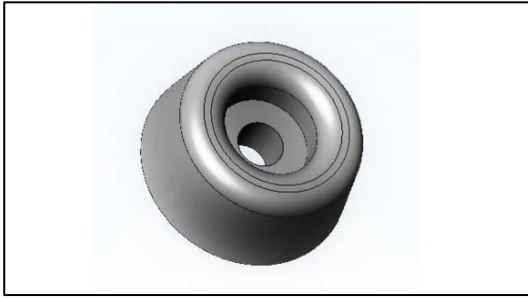
we are pleased to inform you that all new Modbar modules will include 4 raised-support feet as an additional kit inside the machine package. You will therefore have the option to mount them in addition to the existing feet, in order to raise the module height and ease the drainage slope.

The new raised-support feet (code CL001.01) are the same ones found on other La Marzocco professional machines.



Code CL001.01

To achieve the correct fitting, we also changed the standard existing feet from **Code 5.120** to **Code F.2.071** (again, the same ones used in the other La Marzocco pro machines).



OLD Code 5.120 (22 mm)



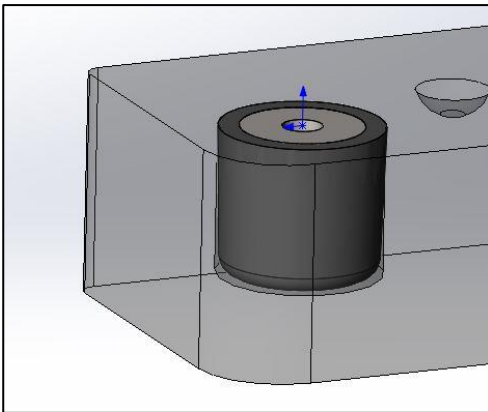
NEW Code F.2.071 (20 mm)

The new components will be included from SN MB006247 in the following machines: Modbar AV 1Gr, Modbar AV 2Gr, Modbar EP, Modbar Steam and Modbar Pour-Over.

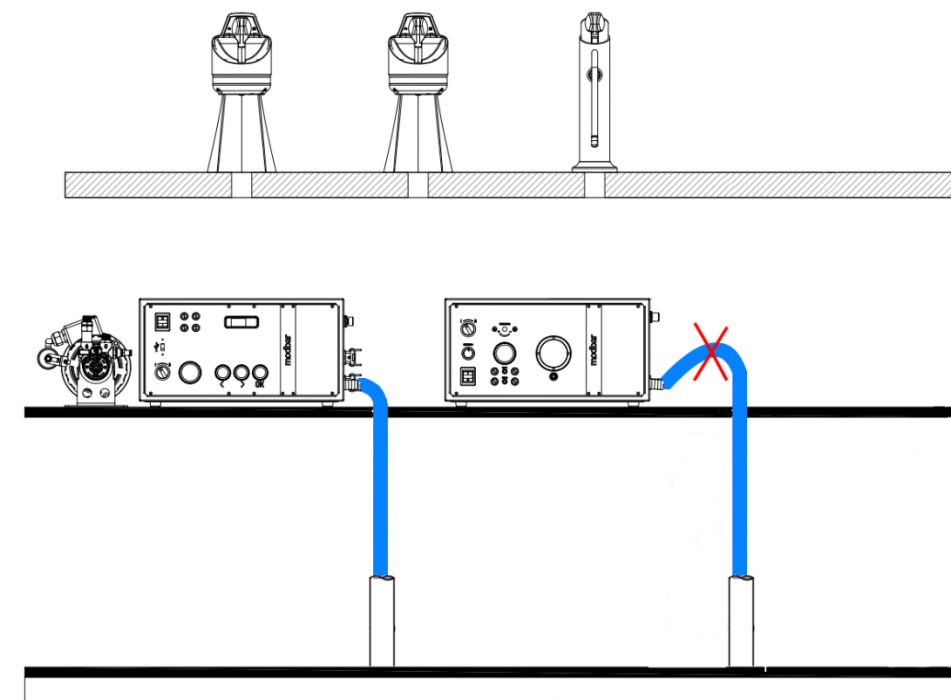
INSTALLATION

Simply rest the module on the raised-support feet to complete the installation.

It is not mandatory to place the modules on the new feet-risers, but if you feel the need to increase the module height, now you can do it.



We strongly remind you to ALWAYS plan a downward slope to allow water to drain.



Do not hesitate to contact us for any further information.

Modbar Support Team
support@lamarzocco.com

February 2023

modbar®